

# BLE Kinetic Push Button Switch

CLX-SBP2801K4-BLE

## Features

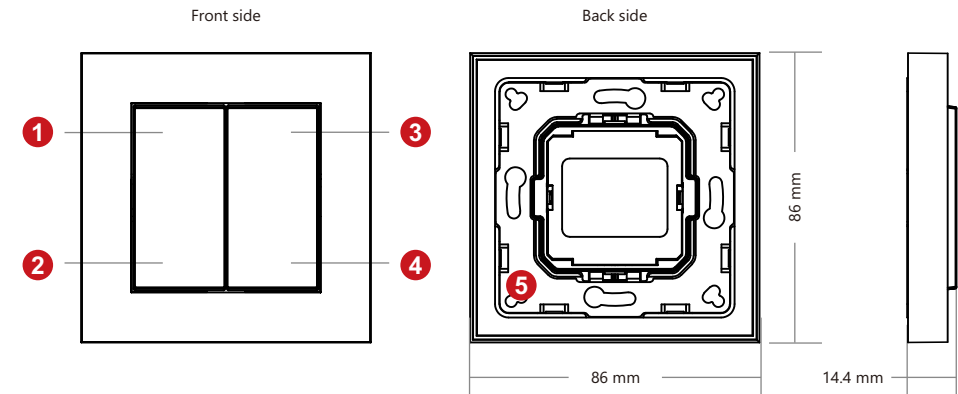
- CCT wall remote based on Bluetooth® Mesh network
- Self-powered wall remote, no battery replacement & re-installation costs
- No wires, no batteries, no limits
- Ultra long lifetime, more than 1 million times pushing
- Easy & quick pairing through APP
- Mesh network for further control distance, receivers can transmit signal to each other
- 2.4 GHz global operation
- Transmission range between every two neighbor devices up to 30m
- Standard size, compatible with existing EU size frame
- Working with our BLE driver, controller, signal converter, sensor series product
- On-board antenna
- Waterproof grade: IP20
- 5 years warranty



## Parameters

Protocol	Bluetooth® mesh
Power Supply	Self powered by built-in nano generator
Transmission Frequency	2.4GHz
Transmission Range(free field)	30m
Protection Type	IP20
Dimming Range	0.1%-100%
Dimensions	86x86x14.4mm

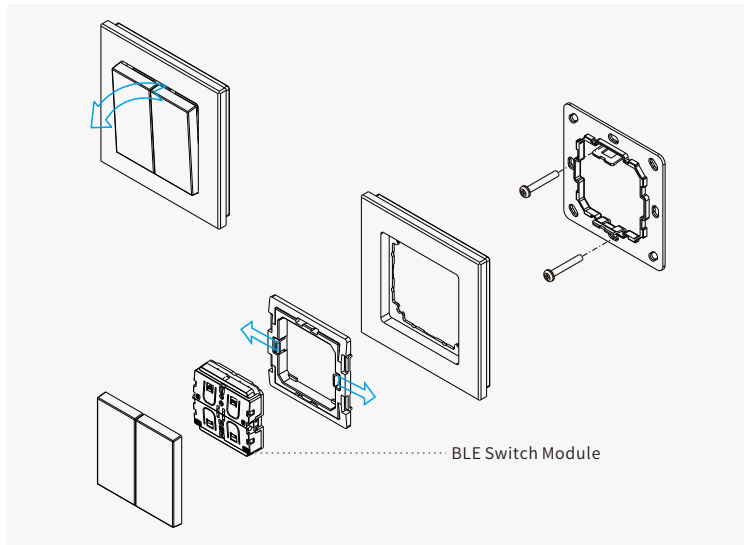
## Product info



- ① Click to turn on, Press and hold down to increase light intensity.
- ② Click to turn off, Press and hold down to decrease light intensity.
- ③ CW button: click to recall the scene, press and hold to increase cool white.
- ④ WW button: click to recall the scene, press and hold to increase warm white.
- ⑤ The remote control can be fixed on the wall with 3M glue or screw.

**NOTE:** In order for switches to operate as described above, our BLE Switch Module should be mounted, and please make sure the “1” label is placed above the “0” label.

## Installation



## Warning

- DO NOT expose the device to moisture.

## Operation

- Kindly refer “Silvainr Commissioning User Manual” for further pairing, grouping, scene settings.
- Kindly refer “Silvainr Kinetic Switch Keypad User Manual” to go further pairing, grouping, scene settings.
- Press and hold down the “Reset” button on the controller over 5 seconds until the indicator flashes , which means it has been reset.

## Application

