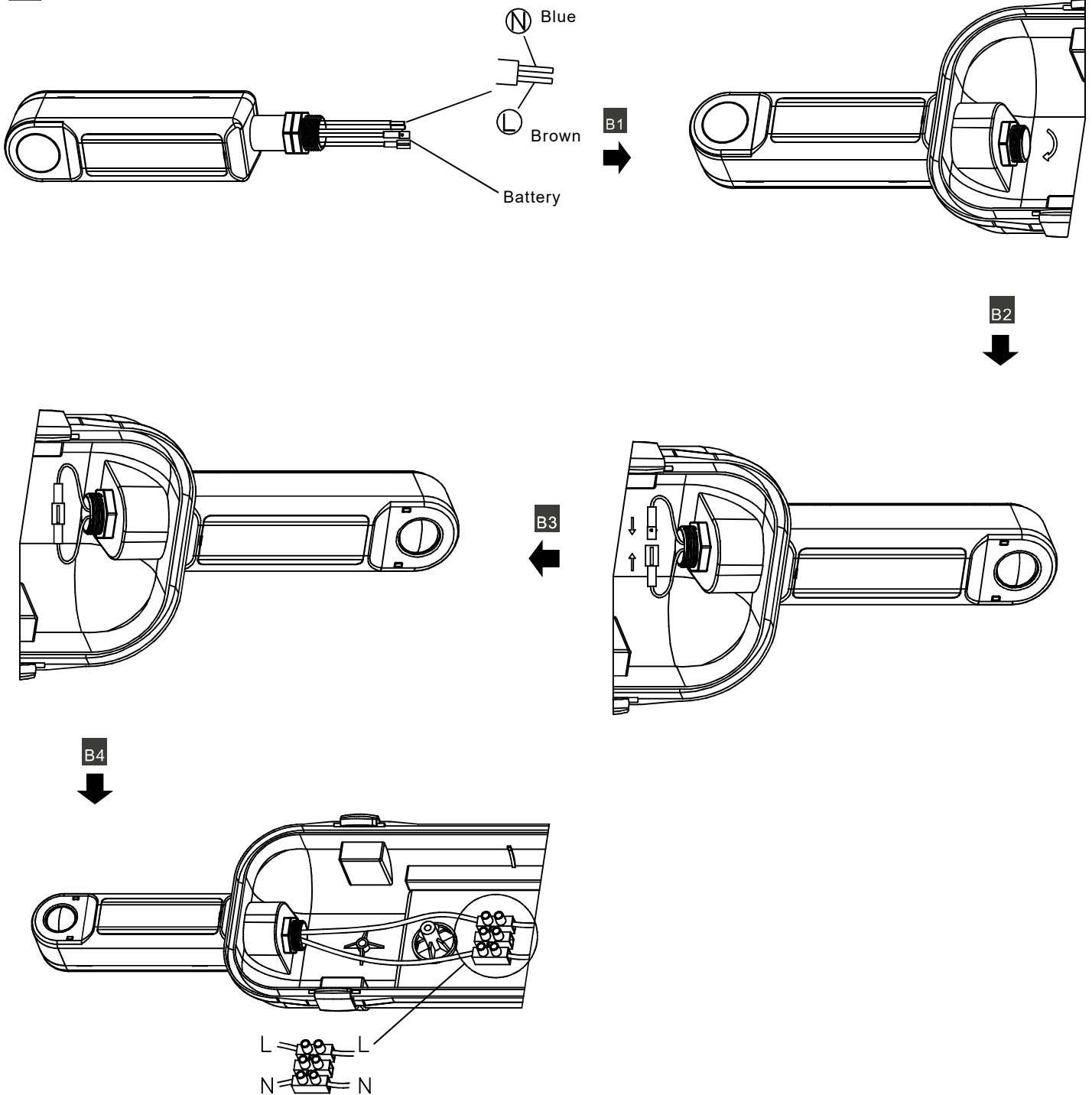
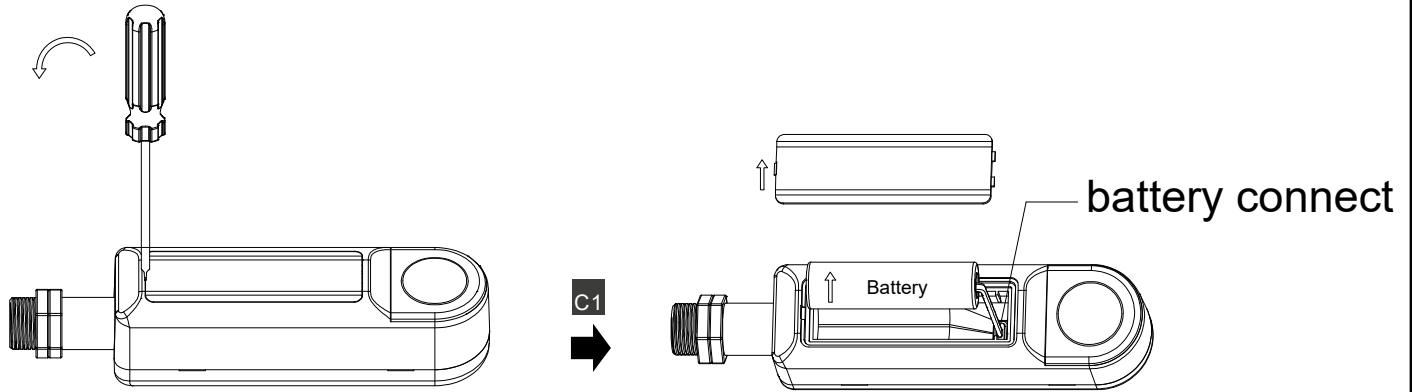


## B Installation steps



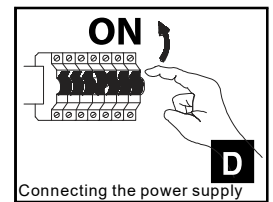
## C Battery replacement

18650 LiFePO4 3.2V 1500mAh



## Important notes!

All maintenance, such as changing the batteries or light source on this luminaire, should only be performed by professionals. Before maintenance, please disconnect all power sources.



## E Important

- The electric source for safety service is not a user serviceable item and shall only be replaced by the manufacturer service agent or a similar qualified person.
- The light source contained in this luminaire shall only be replaced by the manufacturer or his service agent or a similar qualified person.
- The company accept no responsibility for incorrect installation, incorrect operation or improper maintenance.
- After installation of the fitting, the battery must be charged for 16/24 hours for duration test.
- The drawing in the fitting may vary to the actual product, connect as per label on fitting.
- When fitting a flush fitting, refer to installation instruction, including any ceiling manufacturer's instructions.
- The recharging device will recharge the battery ESSS normally after removal the short circuit link and reconnecting the ESSS.
- Double or reinforce insulation between supply and battery/ESS circuits and based on a working voltage of 250V;