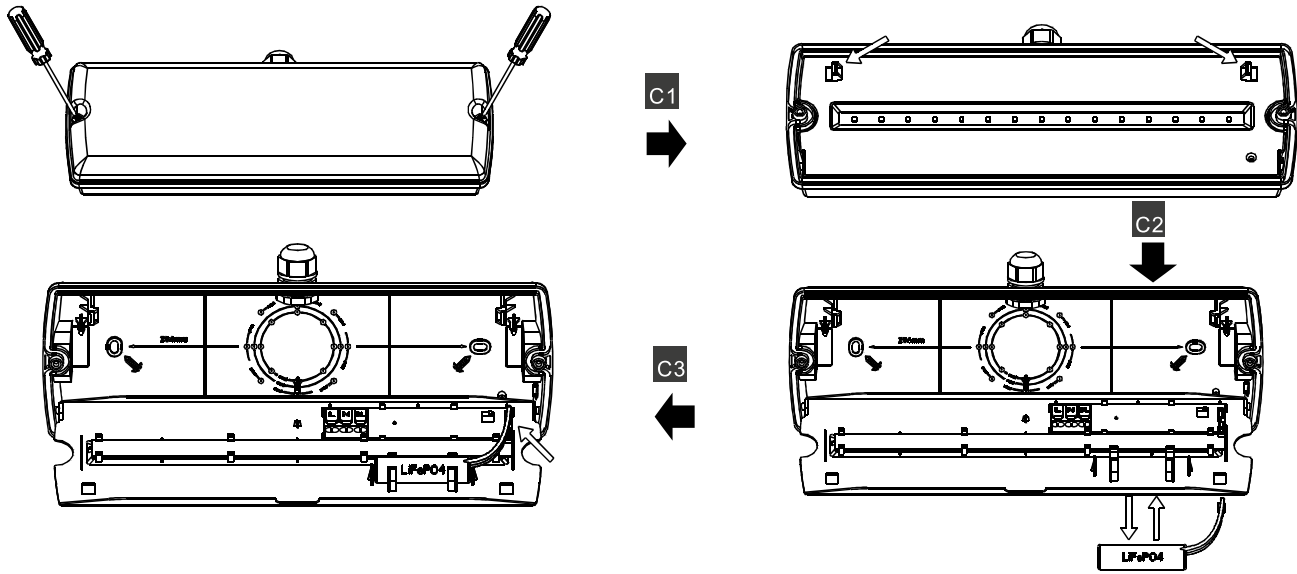


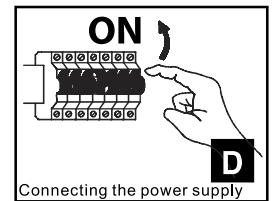
C Battery replacement

18650 LiFePO4 3.2V 1500mAh



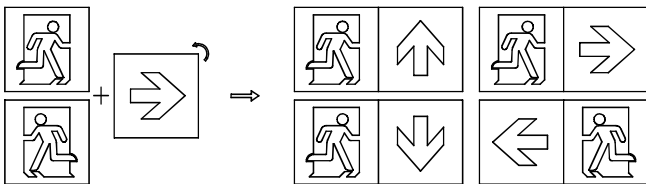
Important notes!

All maintenance, such as changing the batteries or light source on this luminaire, should only be performed by professionals. Before maintenance, please disconnect all power sources.



E Mounting Accessories

Evacuation direction sign



F Important

- The electric source for safety service is not a user serviceable item and shall only be replaced by the manufacturer service agent or a similar qualified person.
- The light source contained in this luminaire shall only be replaced by the manufacturer or his service agent or a similar qualified person.
- The company accept no responsibility for incorrect installation, incorrect operation or improper maintenance.
- After installation of the fitting, the battery must be charged for 24 hours for duration test.
- Battery should be charged every three months in order to keep it's initial performance.