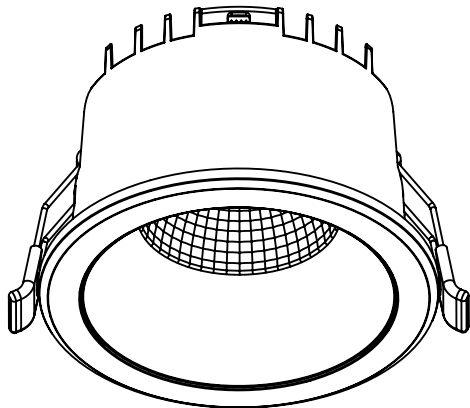


## Calex Sol 3CT Triac Dim



CE RoHS

### Description:

It adopts high brightness and high quality LED as luminous body with low-voltage constant current driver. Low power consumption, long lifespan, and high safety. Housing is made of anti-UV and heat-resistant plastic, which looks elegant and stylish.

Good thermal management ensures stable working of LED, and controls light attenuation effectively. Perfect optical design ensures light softly and evenly.

Easy to operate, instant lighting on, no flickers, no glare. Free of lead, mercury and other harmful substances.

This product is widely used in shopping mall, hotel, restaurant and etc. It's the good substitute of halogens.

### Notes:

- ◆ Only qualified electrician is allowed to do the installation, maintenance and inspection for safety concern. It is dangerous for non-professional operator.
- ◆ Recessed installation only.
- ◆ Do not install the product in high temperature or humid place.
- ◆ 75mm space should be left around the product for ventilation, no cover on the light at any time.
- ◆ Storage conditions: room temperature, dry environment.

### Installation:

Picture 1. Turn off the power.

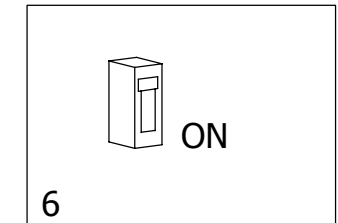
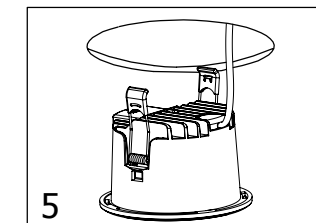
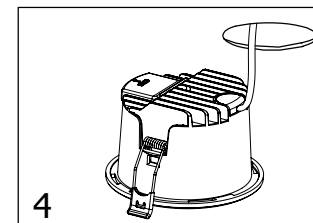
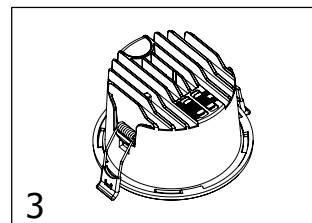
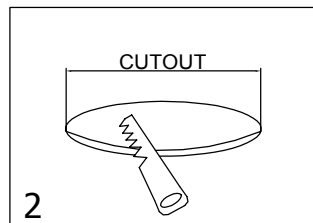
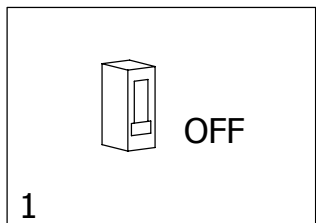
Picture 2. Drill a suitable mounting hole on ceiling according to size requirement of different item.

Picture 3. Open the silicone plug in the position of the lamp, adjust the dip switch, select the needed color temperature and power, adjust it, and then cover the silicone plug.

Picture 4. Connect the input terminal to the electric supply (220-240V), and ensure that the connection method is correct.

Picture 5. Pinch both springs, then push light into installation hole, hangers rebound and chuck automatically. Make sure the light fixed well.

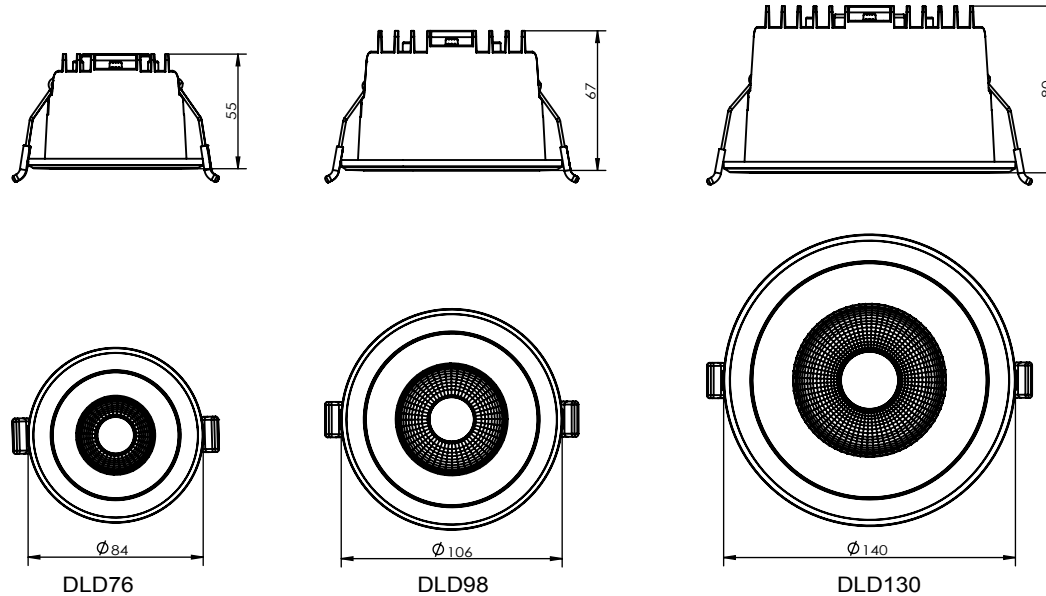
Picture 6. Double-check if everything is well-connected, then turn on the power.



### Technical parameters:

Part No	Calex Sol DLD76 6W	Calex Sol DLD98 6W/9W		Calex Sol DLD130 9W/12W	
Input Voltage(VAC)	220-240VAC				
Input Current(mA)	0.05	0.05	0.08	0.07	0.09
Power(W)	6	6	9	9	12
Power Factor	>0.8			>0.9	
Color Temperature(K)	3000 (WW) /4000 (NW) /5700 (CW)				
Luminous Flux (Lm)	570/630/600	660/720/690	900/990/945	990/1080/1035	1200/1380/1320
Beam angle(°)	40°/60°	40°/60°			
Cutout (mm)	Φ68-76	Φ90-98		Φ120-130	
Lifespan (hour)	100000				
Protection Rate	IP65				
CRI (Ra)	>80				

### Dimension:



### Warning



- \* Power should be cut off before installation, maintenance or inspection.
- \* Please install and use the light strictly according to the instruction.
- \* Do not disassemble or remold the product at will to avoid accident of electric shock or light falling.
- \* The light source of this luminaire is not replaceable, when the light source reaches its end of life the whole luminaire shall be replaced.