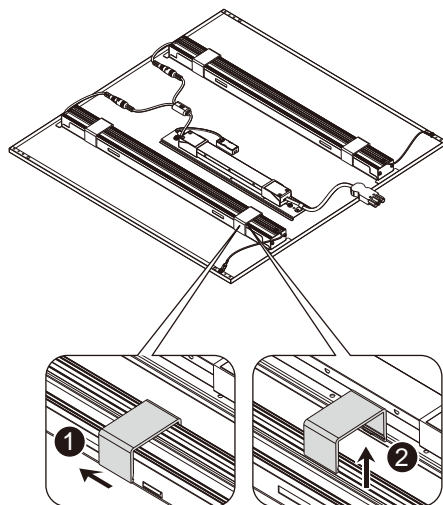
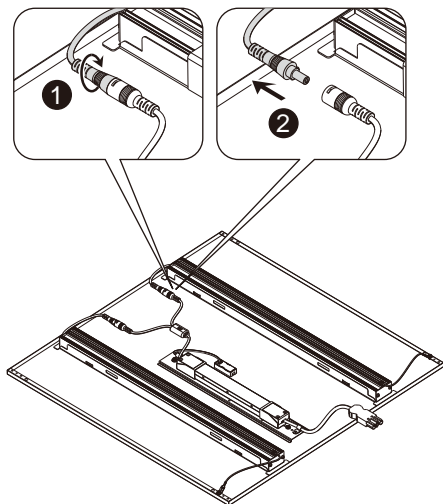


Replacement module

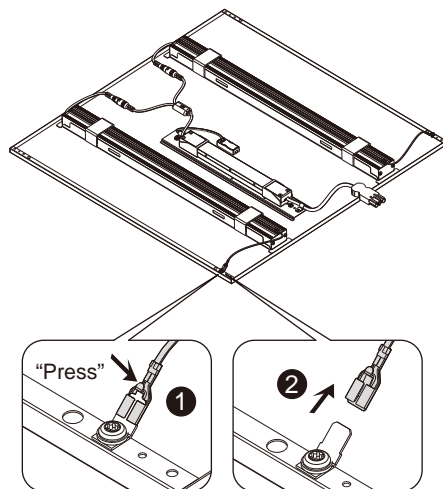
- 1** Slide to both sides and then pull out the shrapnel



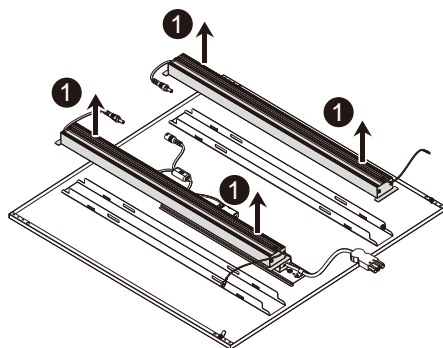
- 2** Disconnect the module cable



- 3** Remove the ground wire



- 4** Remove the old module and replace it with the new one



Recessed LED Grille luminaires

IMPORTANT SAFETY NOTES



WARNING
RISK OF ELECTRIC SHOCK

BEFORE YOU BEGIN

- Read these instructions completely and carefully.
- The installation and connection of the luminaire must be done when switched off and by qualified people. Make sure no voltage while installation.



CAUTION

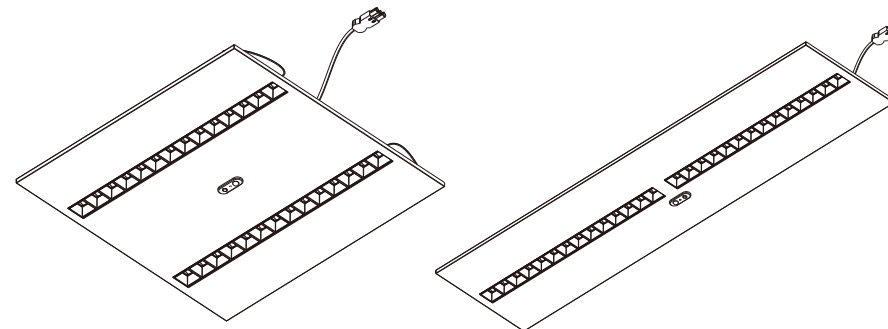
MAINTENANCE

- To avoid injuries, disconnect power to the light and allow the unit to cool down before performing maintenance.
- Perform visual, mechanical and electrical inspections on a regular basis. We recommend routine checks to be made on an annual basis. Frequency of use and environment should determine this.
- The Covers should be cleaned periodically as needed to ensure continued photometric performance. Clean the Cover with a damp, non-abrasive, lintfree cloth. If not sufficient, use mild soap or a liquid cleaner. Do not use an abrasive, strong alkaline or acid cleaner as damage may occur.
- Inspect the topside on the luminaire to ensure that it is free of any obstructions or contamination (i.e.excessive dust build-up). Clean with a non-abrasive cloth if needed.



This product contains a light source of energy efficiency class D.

Products

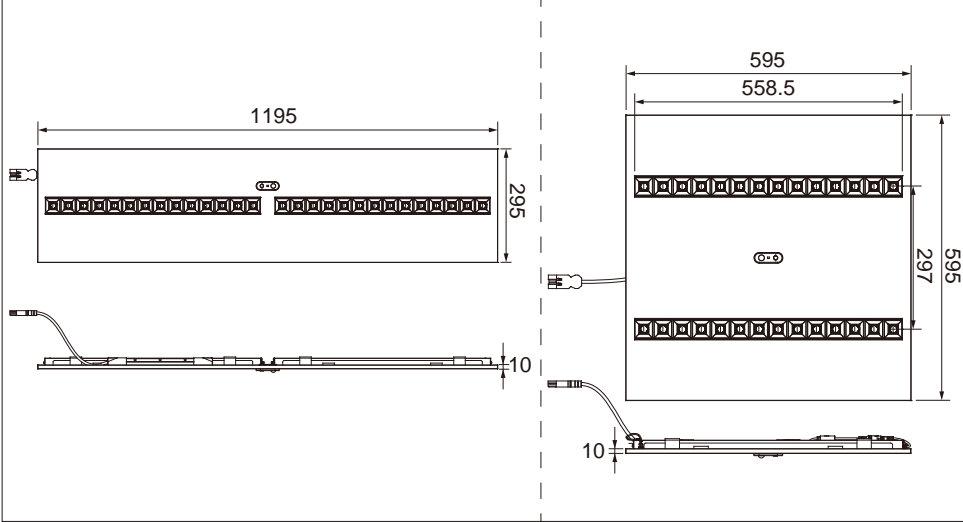


Installation Manual

DWG-P1699 (A)

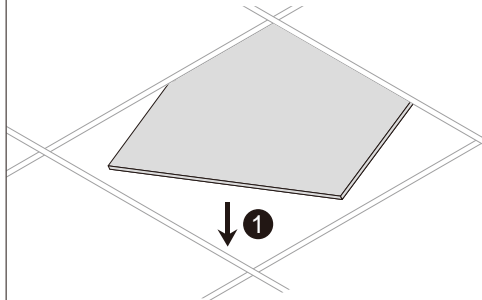
Dimensions

[mm]

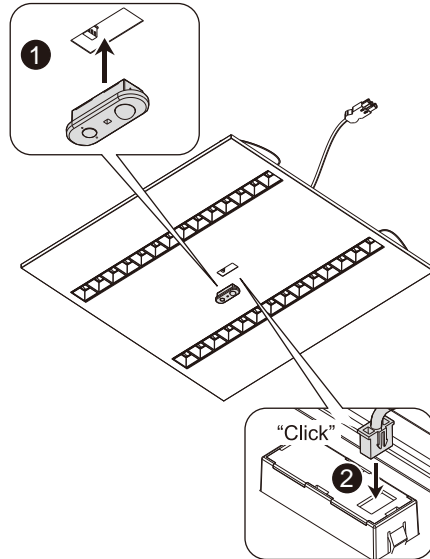


Installation Steps

1 Remove the ceiling drywall

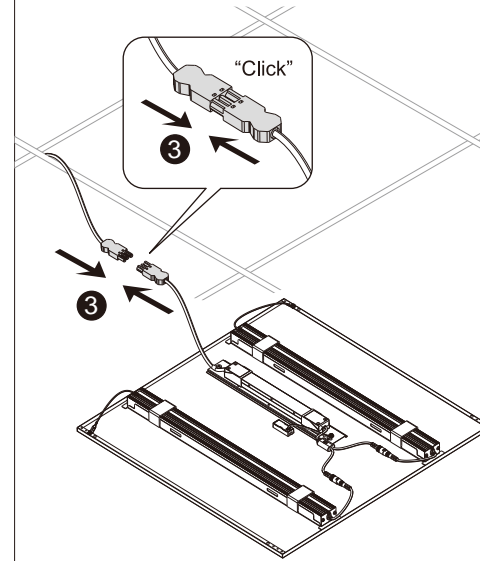


2 Connect the sensor

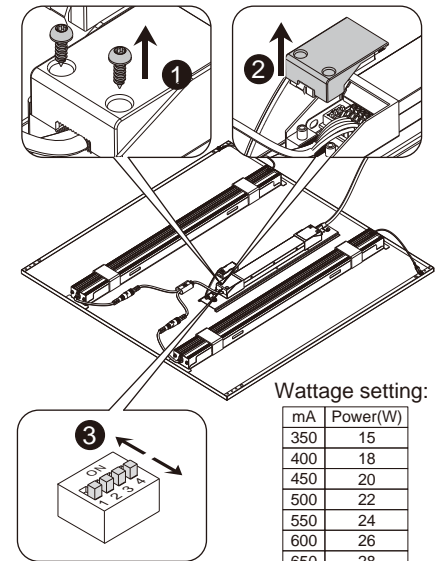


Installation Steps

3 Connecting Power Supply



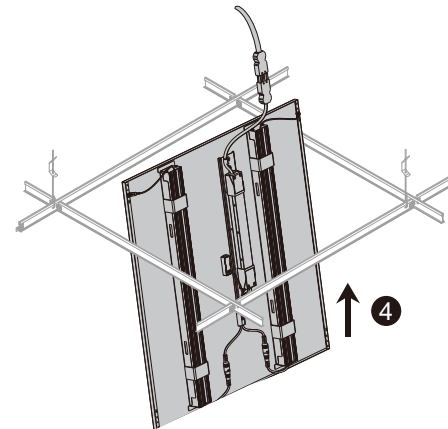
4 Power supply power regulation



Wattage setting:

mA	Power(W)
350	15
400	18
450	20
500	22
550	24
600	26
650	28
700	30

5 Place the luminaire on the keel frame



6 Complete the installation

