

Recessed installation(2)

Cutout Size			
Panel Size	Cutout	Panel Size	Cutout
295x295mm	270x270mm	620x620mm	590x590mm
295x595mm	270x570mm	295x1195mm	270x1170mm
595x595mm	570x570mm	595x1195mm	570x1170mm

Clips should be purchased separately as an accessory

Ceiling opening based on cutout size

1 2

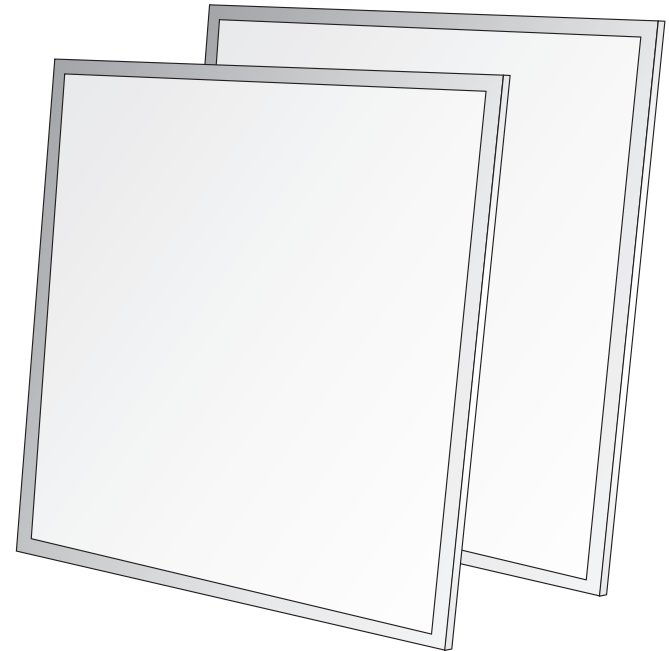
3 4

5 6

COMPLETE



LED PANEL LIGHT USER GUIDE



LED PANEL LIGHT USER GUIDE

Safety Instruction:

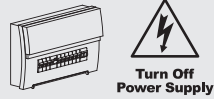
Basic safety precautions should always be followed when installing, including the following:

1. Read instructions carefully before installing.
2. This LED Panel requires professional installation and maintenance.
3. The power supply of the LED Panel should be powered by a dedicated external LED driver.
4. Disconnect the power supply before installing or maintenance.
5. Make sure the wires have been properly connected before powering on the device.
6. Ensure the product has enough space for heat dissipation.
7. Ensure the luminaires are never covered by any heat insulation mat or slim layer material at anytime.
8. Dimmable version could be compatible with a wide range of recommended TRIAC dimmers.
9. Please refer to IP(Ingress Protection) rating of this luminaire when deciding the location of installation.
10. Ambient Temperature: -10°C to +40°C, Avoid direct sunlight.
11. Storage Conditions: Cool & dry conditions.

Installation Procedure

WARNING:

1. Switch off before installation.
2. Switch on only after complete installation and examination of the circuit.



CAUTION

Make sure that the mounting surface or structural member used for installation can support the weight of LED Panel.

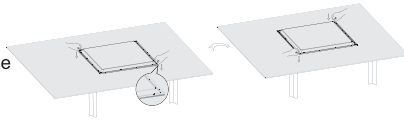
For color changeable model (controlled by Slide Switch in lamp), please select light color before installation, see below picture. choose color by slide switch with corresponding color temperature.



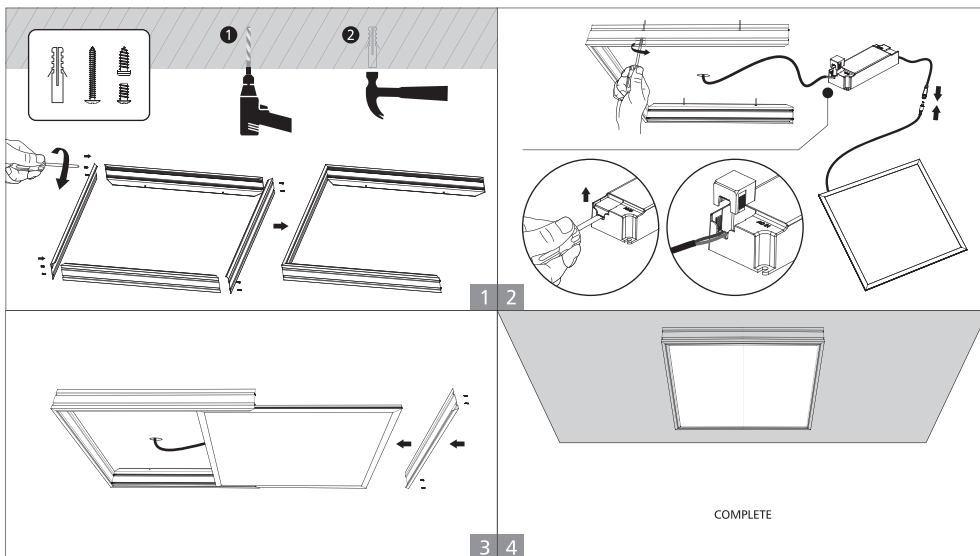
Lamp inspection before installation:

Take out the lamp from the box and put it in a flat table, if the lamp upwarps, please adjust the lamp with below steps before installation:

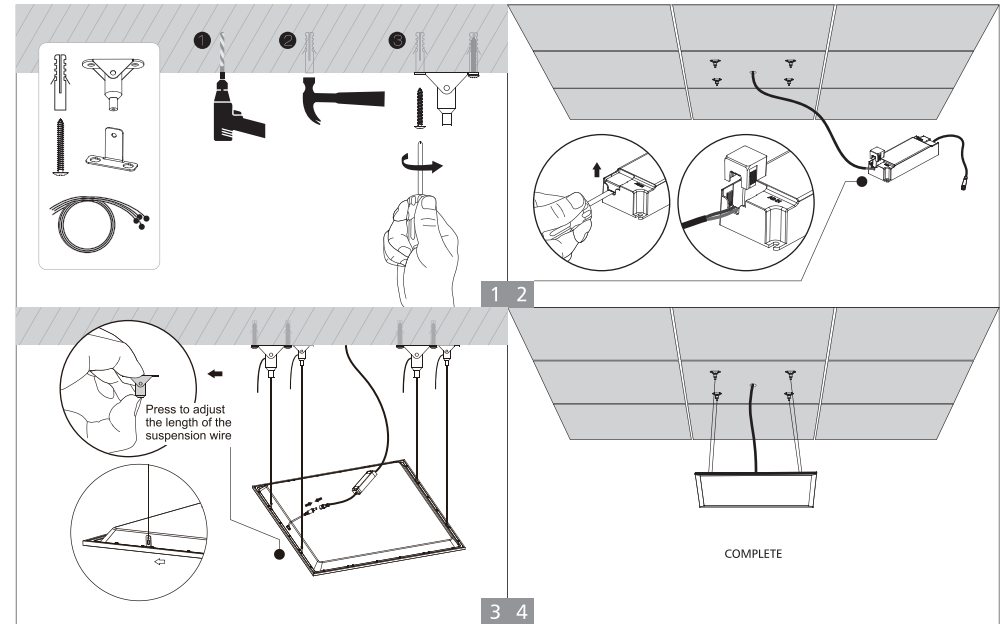
1. Press the opposite angles at the same time;
2. Press another two opposite angles at the same time, make sure the four angles are flat, then start the installation.



Surface mount installation



Pendant installation



Recessed installation(1)

