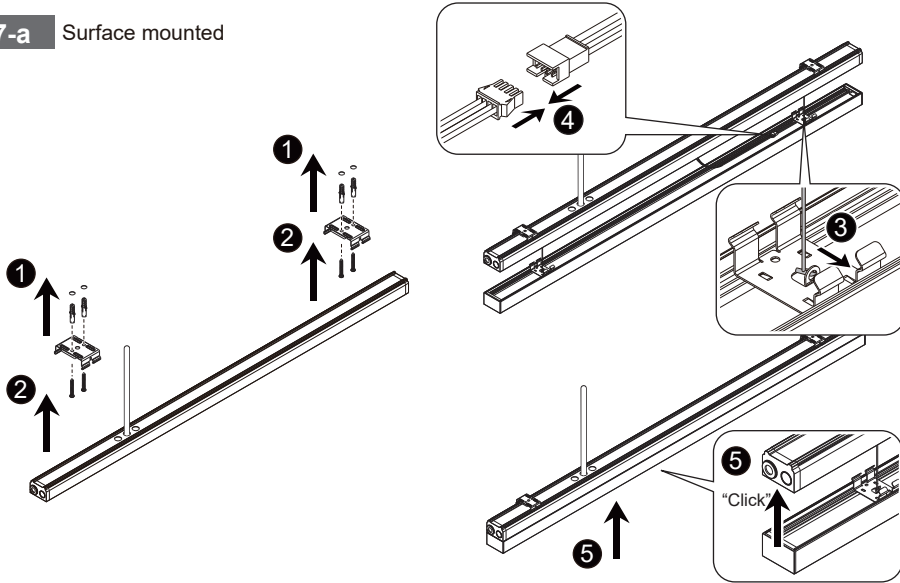
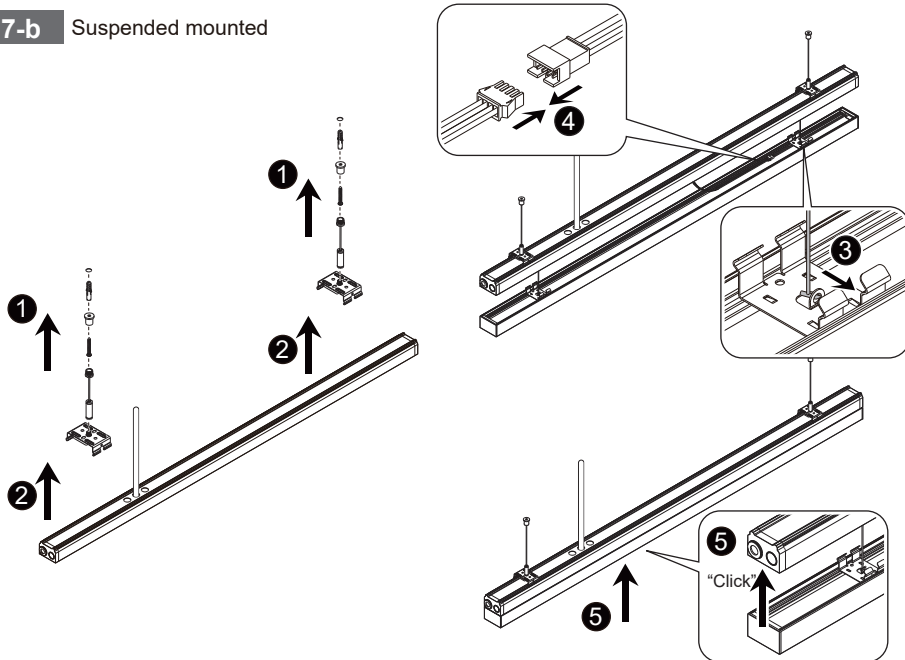


Installation Steps

7-a Surface mounted



7-b Suspended mounted



Calex Aurea NC23



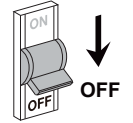
IMPORTANT SAFETY NOTES



WARNING
RISK OF ELECTRIC SHOCK

BEFORE YOU BEGIN

- Read these instructions completely and carefully.
- The installation and connection of the luminaire must be done when switched off and by qualified people. Make sure no voltage while installation.



CAUTION

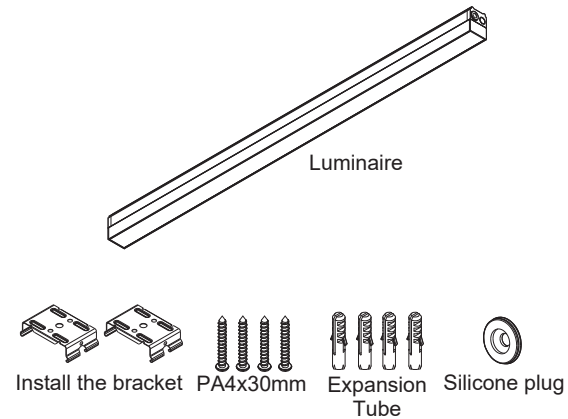
MAINTENANCE

- To avoid injuries, disconnect power to the light and allow the unit to cool down before performing maintenance.
- Perform visual, mechanical and electrical inspections on a regular basis. We recommend routine checks to be made on an annual basis. Frequency of use and environment should determine this.
- The Covers should be cleaned periodically as needed to ensure continued photometric performance. Clean the Cover with a damp, non-abrasive, lintfree cloth. If not sufficient, use mild soap or a liquid cleaner. Do not use an abrasive, strong alkaline or acid cleaner as damage may occur.
- Inspect the topside on the luminaire to ensure that it is free of any obstructions or contamination (i.e. excessive dust build-up). Clean with a non-abrasive cloth if needed.

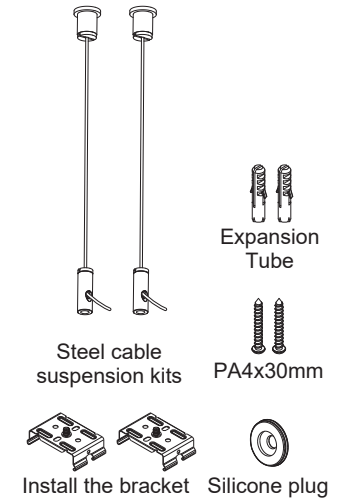


This product contains a light source of energy efficiency class D.

Products



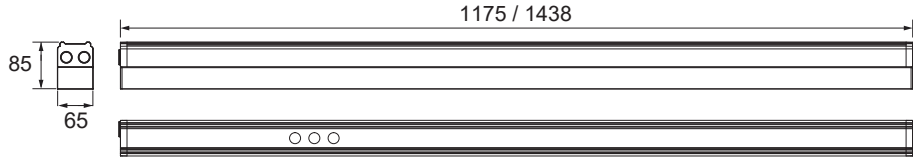
Optional



Installation Manual

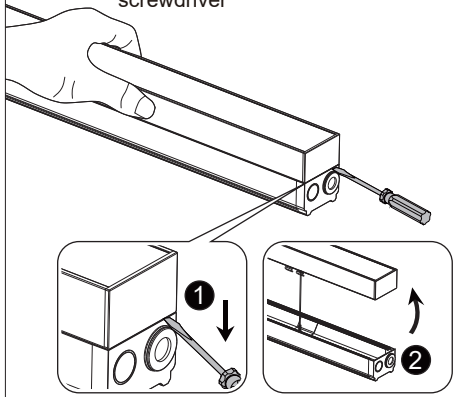
Dimensions

[mm]

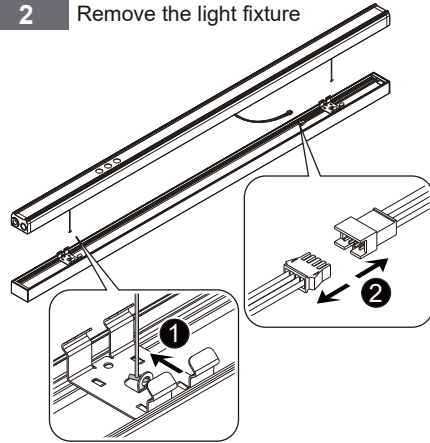


Installation Steps

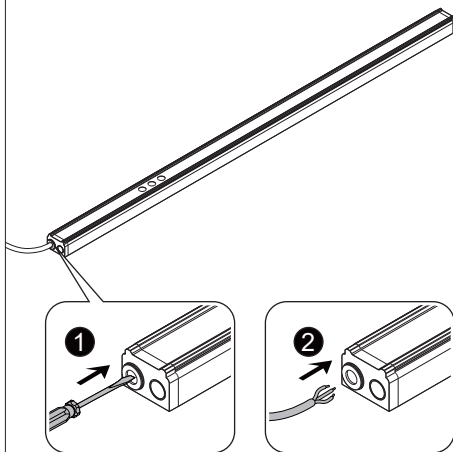
- 1** Open the luminaire with a flat-head screwdriver



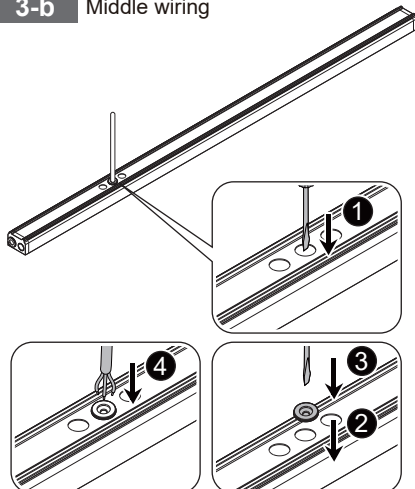
- 2** Remove the light fixture



- 3-a** Side wiring



- 3-b** Middle wiring

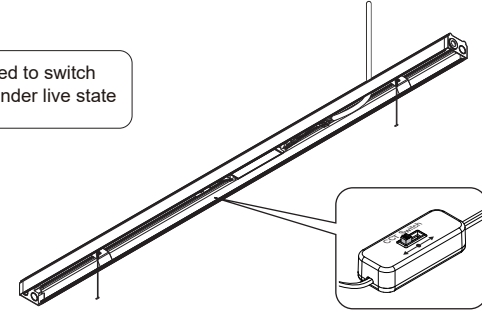


Installation Steps

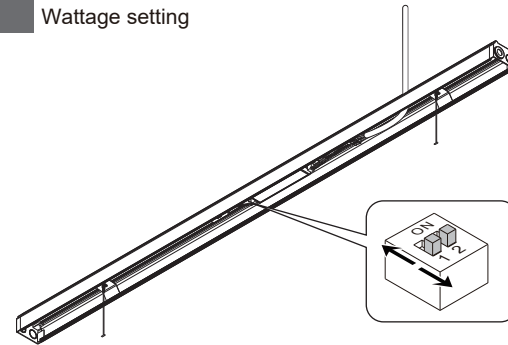
- 4** CCT Setting



It is not allowed to switch CCT switch under live state



- 5** Wattage setting



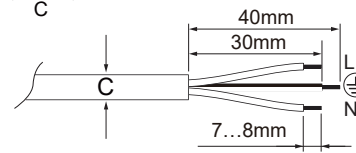
mA	Power(W)	
	1175mm	1438mm
200	20	27
250	25	35
300	30	42
350	35	50

- 6** Connecting Power Supply

3 Wires specification:



Outer diameter: $\varnothing 8\text{mm} \leq C \leq 12\text{mm}$
Core of cable: $3 \times 2.5\text{mm}^2$



5 Wires specification:



Outer diameter: $\varnothing 8\text{mm} \leq C \leq 12\text{mm}$
Core of cable: $5 \times 2.5\text{mm}^2$

