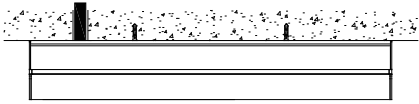


# CALEX BT20 - Mounting instructions

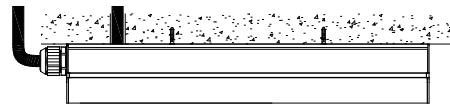
DWG-P0748

## Wiring Method

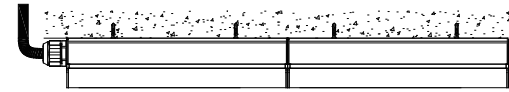
### • Back wiring



### • Side wiring



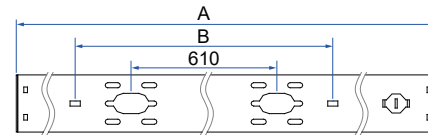
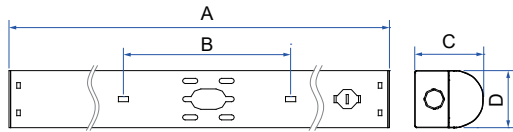
### • Linkable ( Double Wired )



How many LED fixtures we could connect on one line

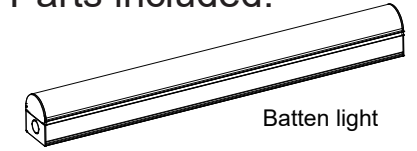
Input Voltage	Max Qty
230VAC/60W	12
230VAC/50W	14
230VAC/40W	18
230VAC/35W	20
230VAC/30W	24
230VAC/25W	28
230VAC/20W	36
230VAC/15W	48
230VAC/10W	72

## Size:

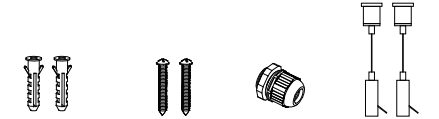


A	B	C	D
600mm	350mm	68mm	56mm
1149mm	720mm	68mm	56mm
1450mm	720mm	68mm	56mm
1750mm	1100mm	68mm	56mm

## Parts included:

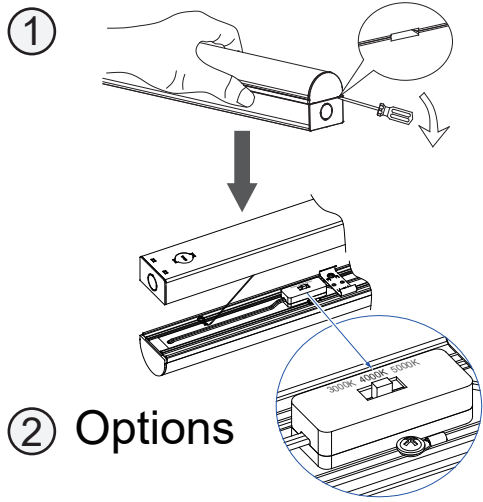


Batten light



8x40mm PA4x30mm Joint Steel cable

**D** This product contains a light source of energy efficiency class D.



## ② Options

Before use, Color temperature setting:

Option 1:	4000K	5000K	6000K
Option 2:	3000K	4500K	6000K
Option 3:	3000K	4000K	5000K

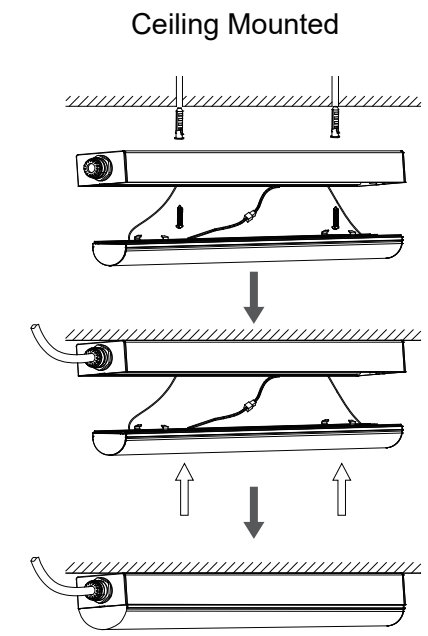
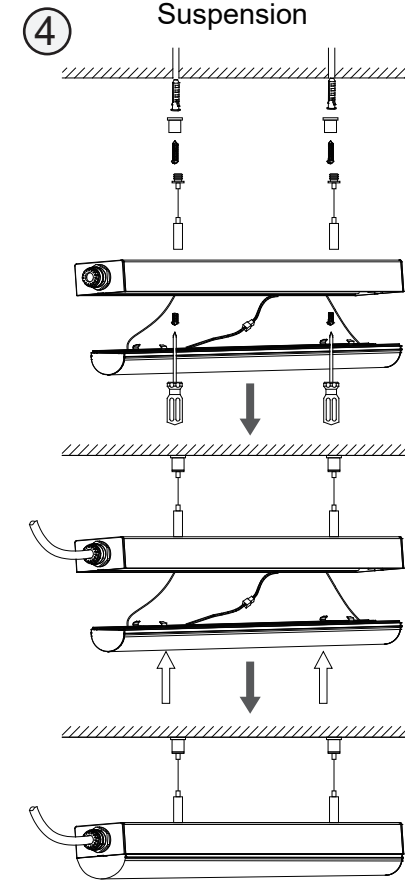
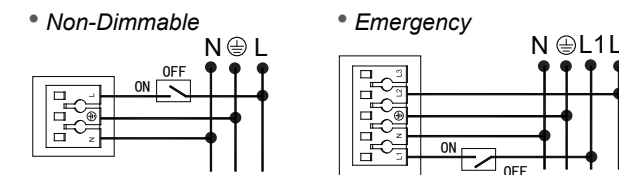
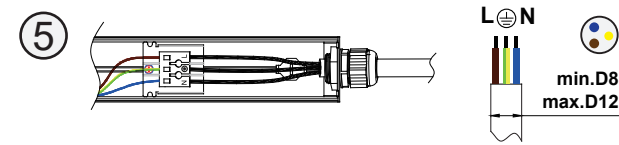
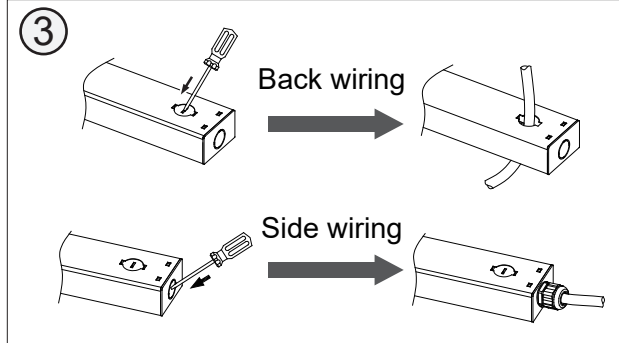
### • Wattage setting ( Option )

0.6M Batten		
1	2	Power(W)
ON	ON	11W
ON	-	14W
-	ON	17W
-	-	20W

1.2M Batten		
1	2	Power(W)
ON	ON	20W
ON	-	25W
-	ON	30W
-	-	35W

1.5M Batten		
1	2	Power(W)
ON	ON	27W
ON	-	34W
-	ON	42W
-	-	50W

1.5M Batten		
1	2	Power(W)
ON	ON	32W
ON	-	42W
-	ON	50W
-	-	60W



## ⚠ Safety notes:

The installation and connection of the luminaire must be done when switched off and by qualified people. Make sure no voltage while installation.