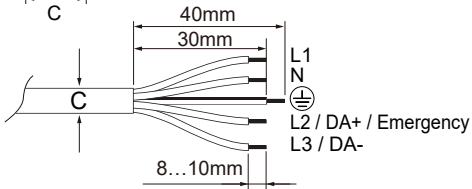


Installation Steps

10 Connecting Power Supply

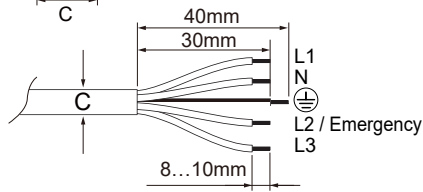
5 Wires specification:

Outer diameter: $\varnothing 8\text{mm} \leq C \leq 15\text{mm}$
Core of cable: $5 \times 1.5\text{mm}^2$ or $5 \times 2.5\text{mm}^2$



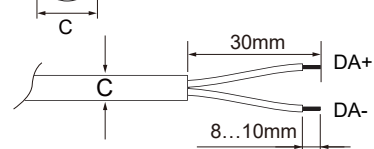
5 Wires specification:

Outer diameter: $\varnothing 8\text{mm} \leq C \leq 15\text{mm}$
Core of cable: $5 \times 1.5\text{mm}^2$ or $5 \times 2.5\text{mm}^2$

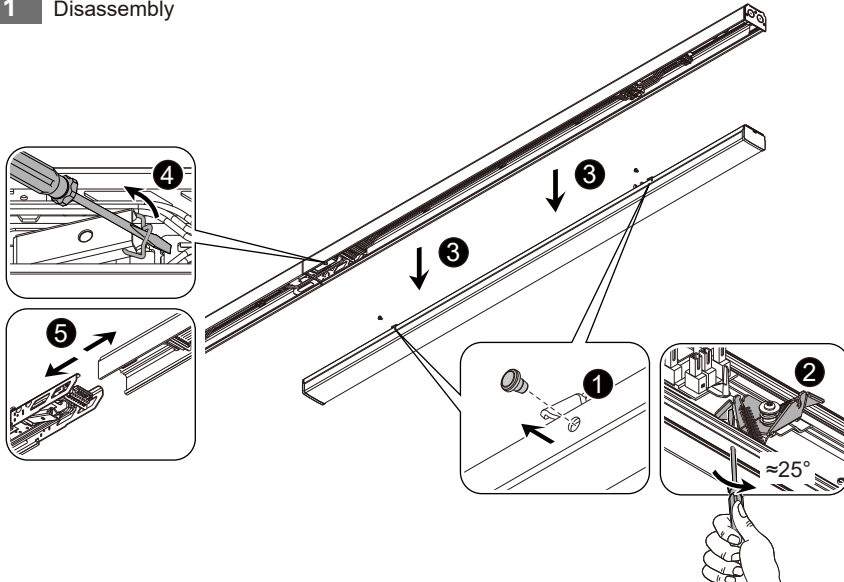


2 Wires specification:

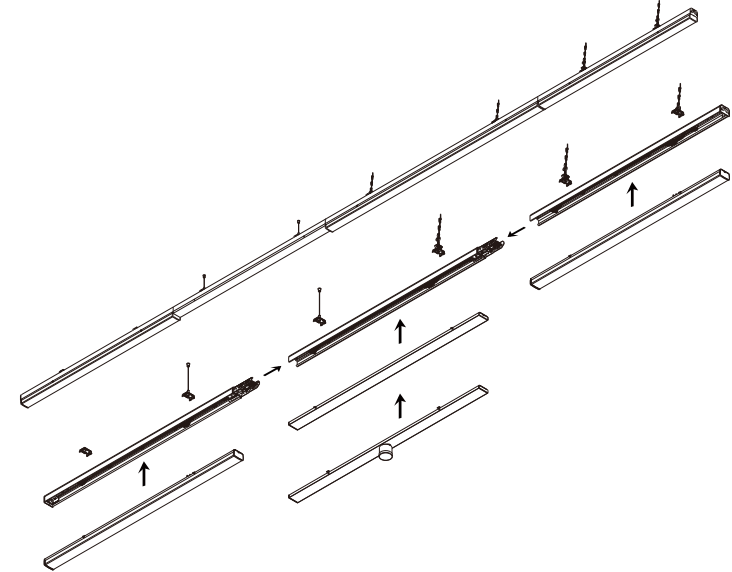
Outer diameter: $\varnothing 8\text{mm} \leq C \leq 15\text{mm}$
Core of cable: $2 \times 1.5\text{mm}^2$ or $2 \times 2.5\text{mm}^2$



11 Disassembly



Calex Livorum NXS IP54



IMPORTANT SAFETY NOTES



WARNING
RISK OF ELECTRIC SHOCK

BEFORE YOU BEGIN

- Read these instructions completely and carefully.
- The installation and connection of the luminaire must be done when switched off and by qualified people. Make sure no voltage while installation.



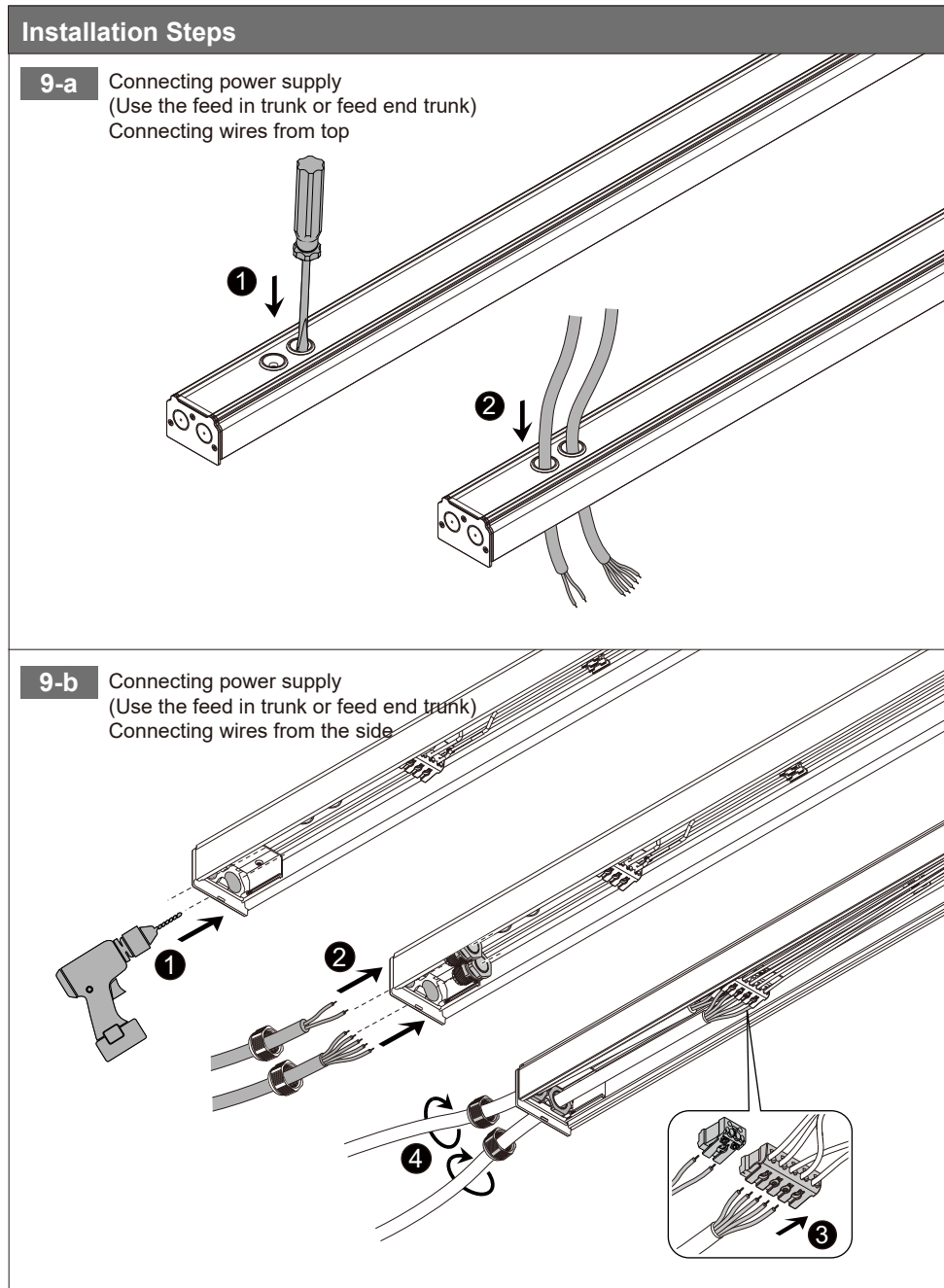
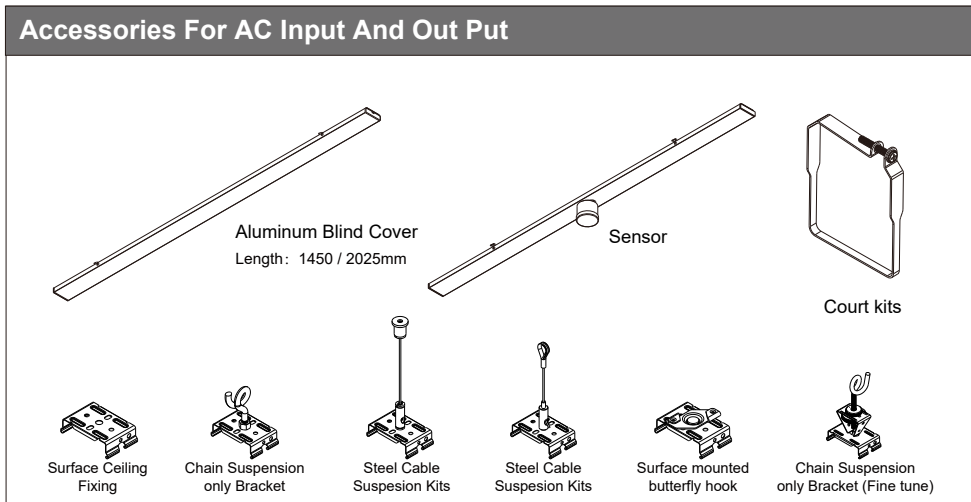
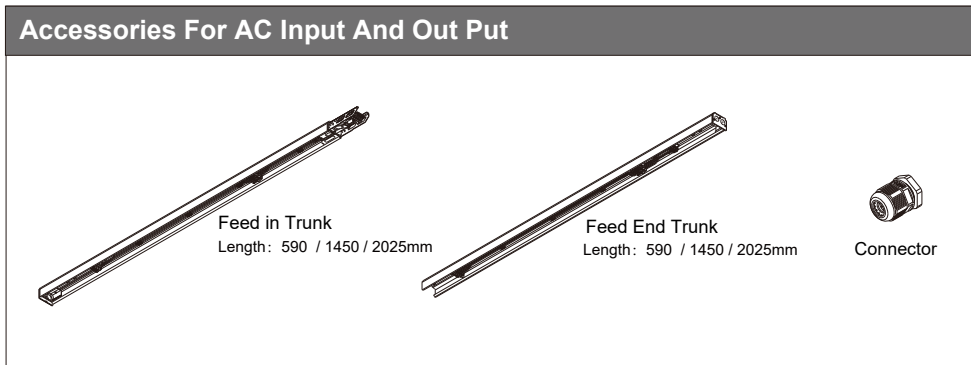
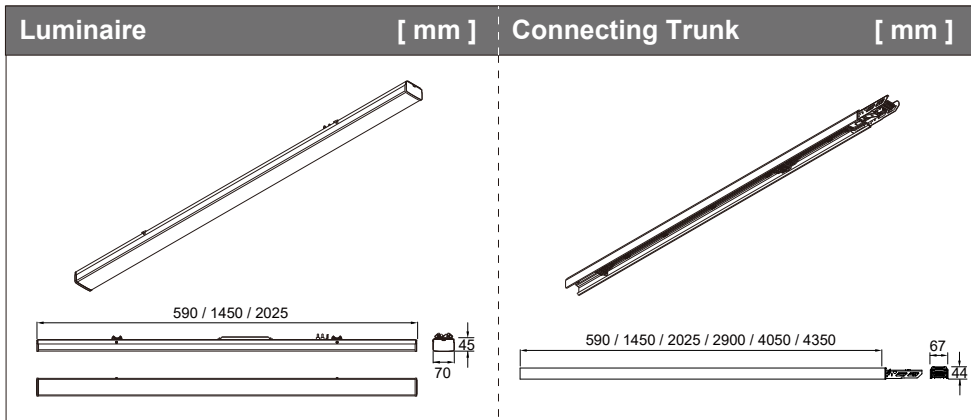
CAUTION

MAINTENANCE

- To avoid injuries, disconnect power to the light and allow the unit to cool down before performing maintenance.
- Perform visual, mechanical and electrical inspections on a regular basis. We recommend routine checks to be made on an annual basis. Frequency of use and environment should determine this.
- The Covers should be cleaned periodically as needed to ensure continued photometric performance. Clean the Cover with a damp, non-abrasive, lintfree cloth. If not sufficient, use mild soap or a liquid cleaner. Do not use an abrasive, strong alkaline or acid cleaner as damage may occur.
- Inspect the topside on the luminaire to ensure that it is free of any obstructions or contamination (i.e. excessive dust build-up). Clean with a non-abrasive cloth if needed.

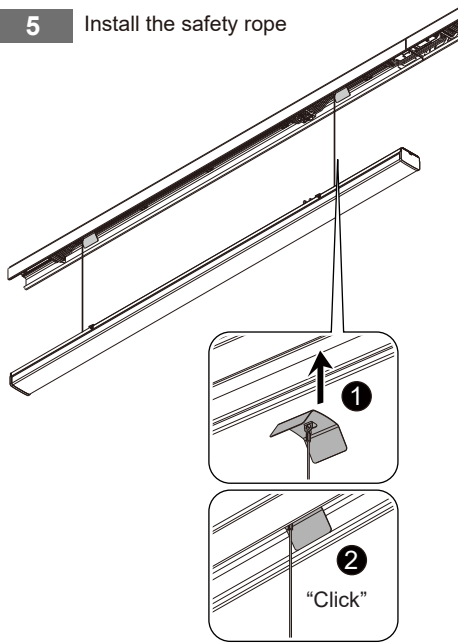


This product contains a light source of energy efficiency class C.

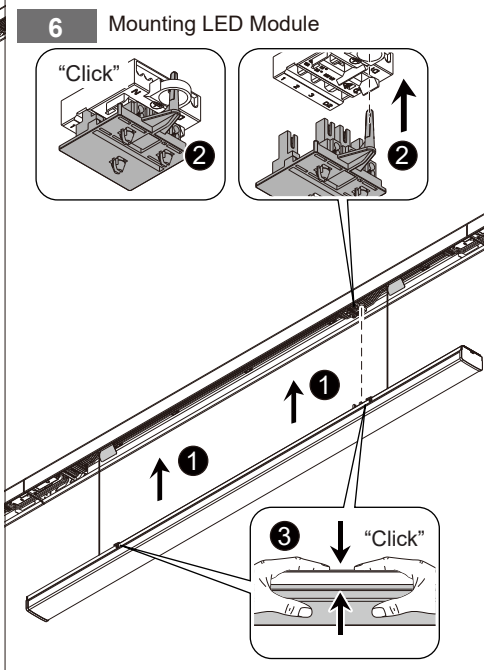


Installation Steps

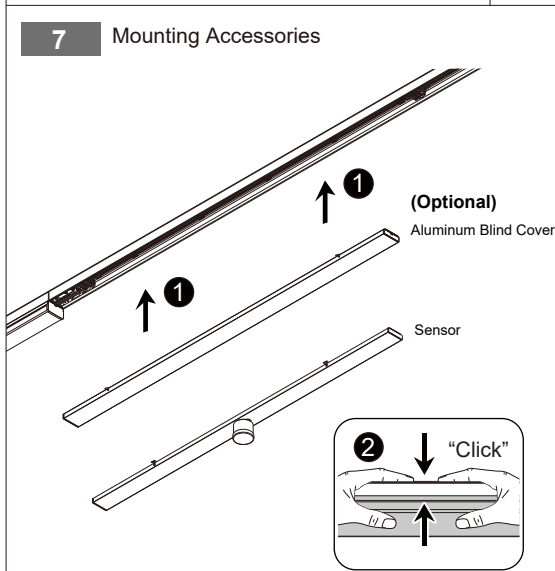
5 Install the safety rope



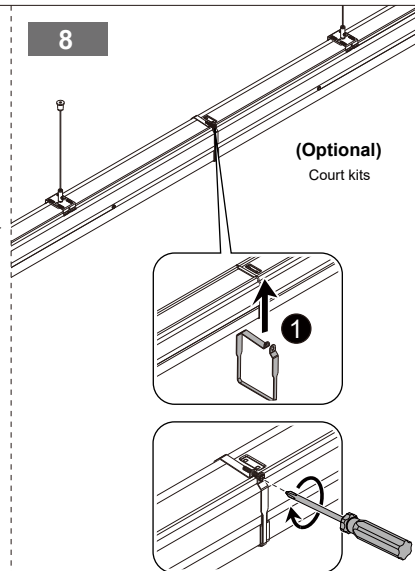
6 Mounting LED Module



7 Mounting Accessories

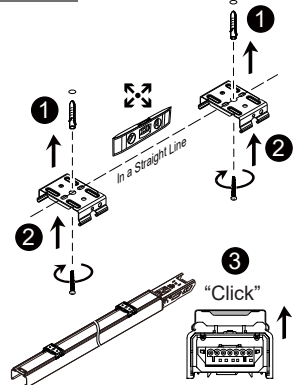


8

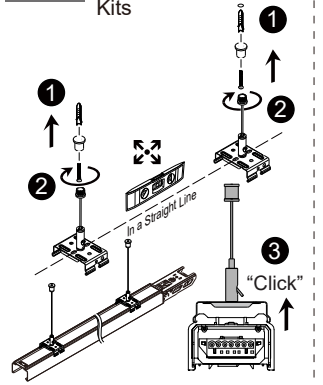


Installation Steps

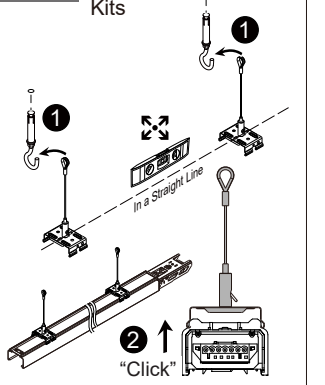
1-a Surface Ceiling Fixing



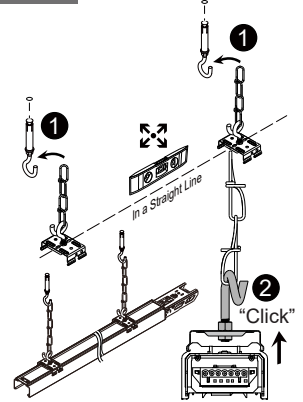
1-b Steel Cable Suspension Kits



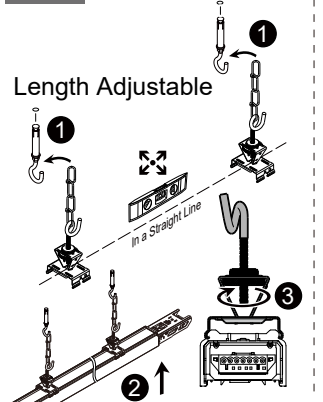
1-c Steel Cable Suspension Kits



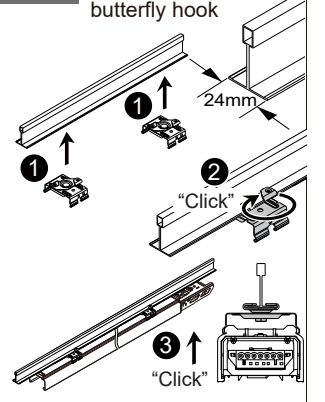
1-d Chain Suspension Kits



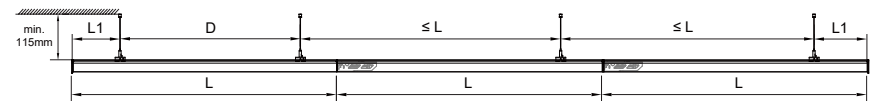
1-e Chain Suspension Kits



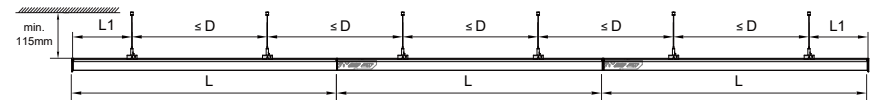
1-f Surface mounted butterfly hook



<3M Installation



>3M Installation

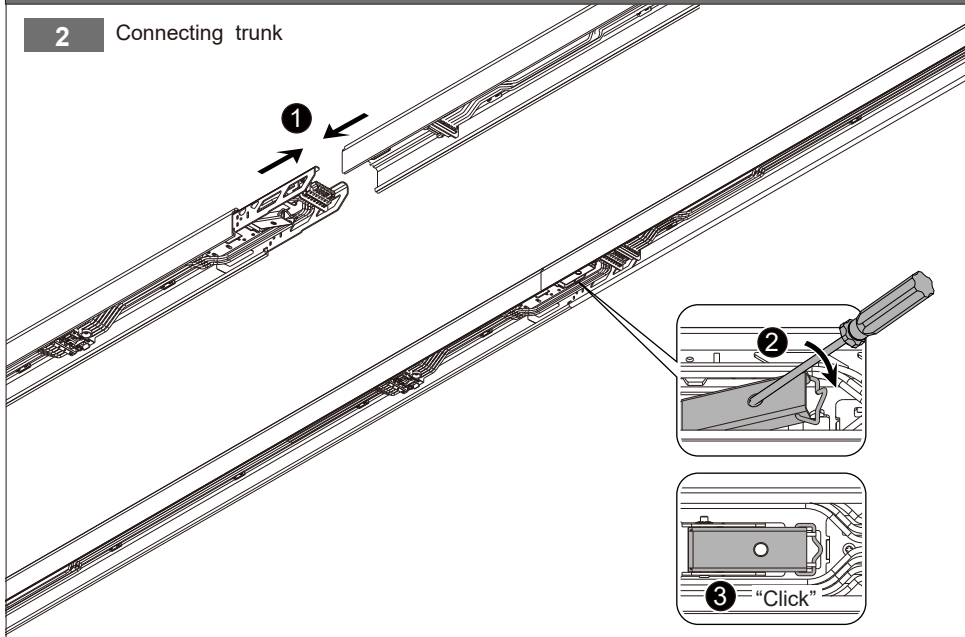


Luminaire Length (L)	L1	D
590mm	100-200mm	max 300mm
1450mm	300-400mm	max 900mm
2025mm	500-600mm	max 1400mm

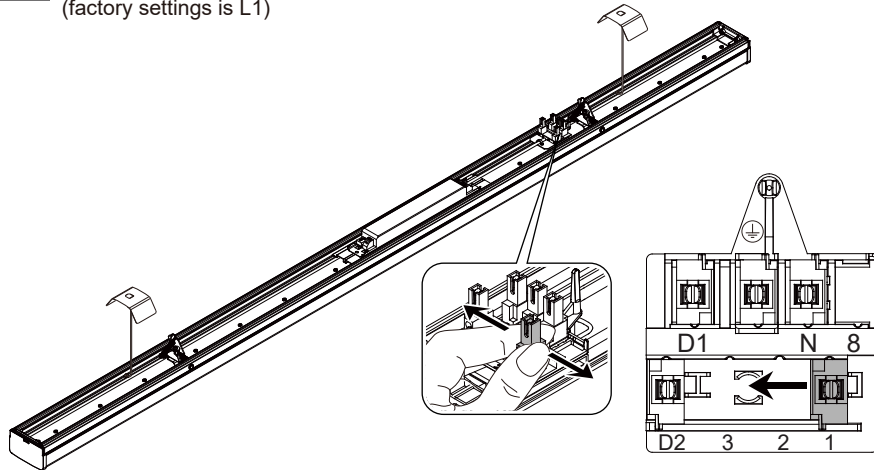
Luminaire Length (L)	L1	D
2900mm	500-700mm	max 2000mm
4050mm	700-800mm	max 2025mm
4350mm	700-800mm	max 2175mm

Installation Steps

2 Connecting trunk



3 Select electrical phase at the unit (factory settings is L1)



Installation Steps

4 Wattage setting

**30001004300, 30001004700, 30001005100, 30001013000
30001013700, 30001013800, 30001013900, 30001014000**

mA	1	2	3	Power(W)
550	ON	ON	ON	75
500	OFF	ON	ON	68
450	ON	OFF	ON	61
400	OFF	OFF	ON	54
350	ON	ON	OFF	47
300	OFF	ON	OFF	40
250	ON	OFF	OFF	33
200	OFF	OFF	OFF	26

**30001013100, 30001008700, 30001013200, 30001013300
30001014100, 30001010300, 30001014200, 30001014300**

mA	1	2	3	Power(W)
550	ON	ON	ON	75
500	ON	ON	OFF	68
450	ON	OFF	ON	61
400	ON	OFF	OFF	54
350	OFF	ON	ON	47
300	OFF	ON	OFF	40
250	OFF	OFF	ON	33
200	OFF	OFF	OFF	26

**30001013400, 30001013500, 30001013600
30001014400, 30001014500, 30001014600**

mA	1	2	3	4	Power(W)
700	ON	OFF	OFF	OFF	95
650	OFF	ON	ON	ON	87
600	OFF	ON	ON	OFF	80
550	OFF	ON	OFF	ON	73
500	OFF	ON	OFF	OFF	66
450	OFF	OFF	ON	ON	60
400	OFF	OFF	ON	OFF	53
350	OFF	OFF	OFF	ON	46
300	OFF	OFF	OFF	OFF	40