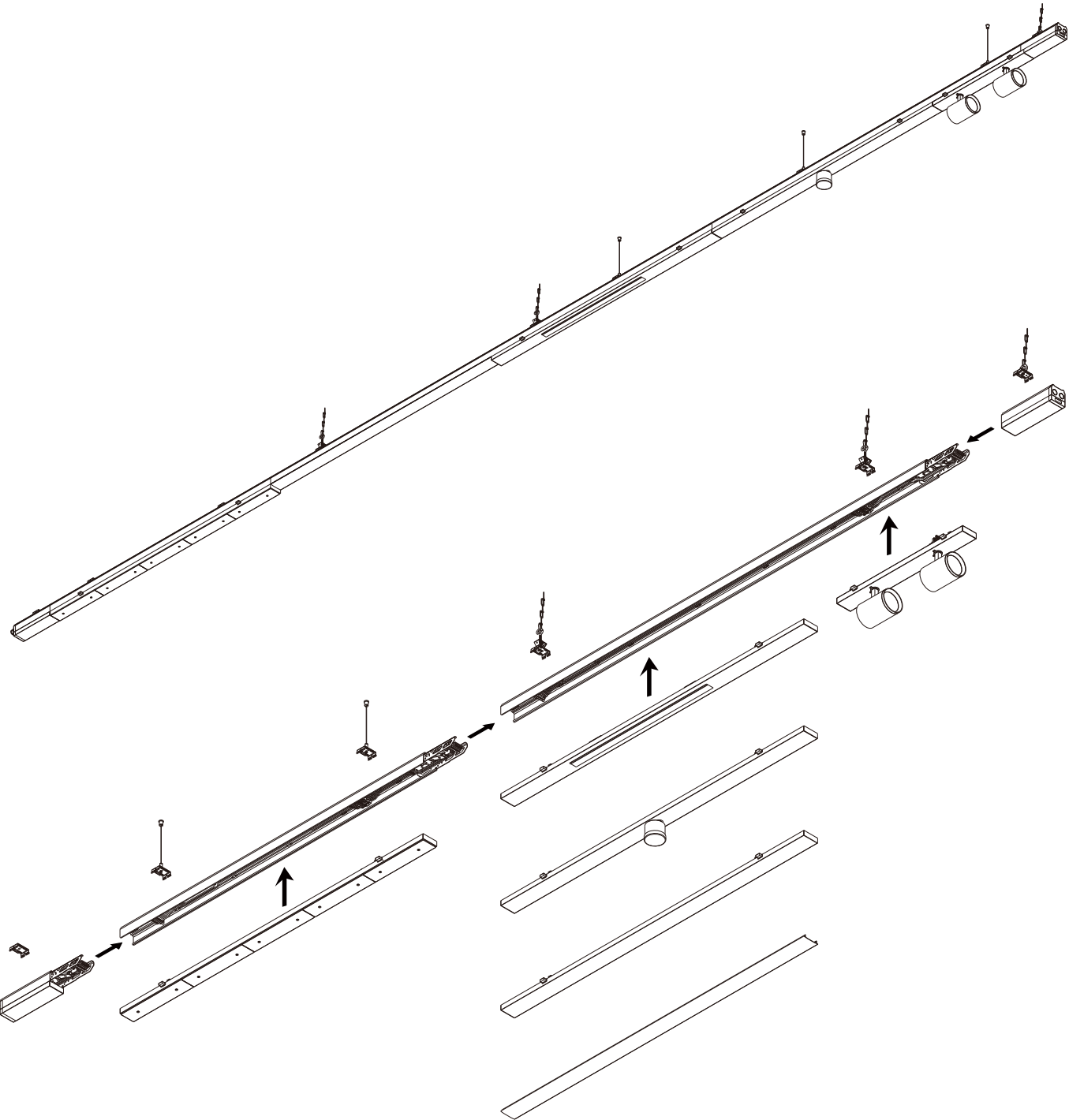
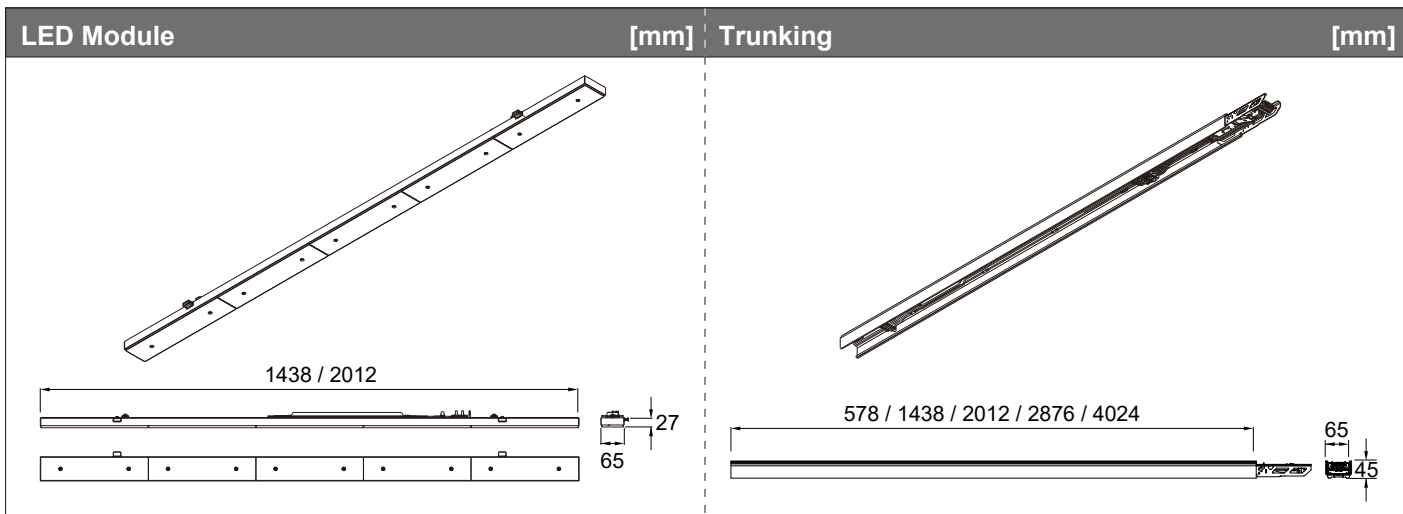
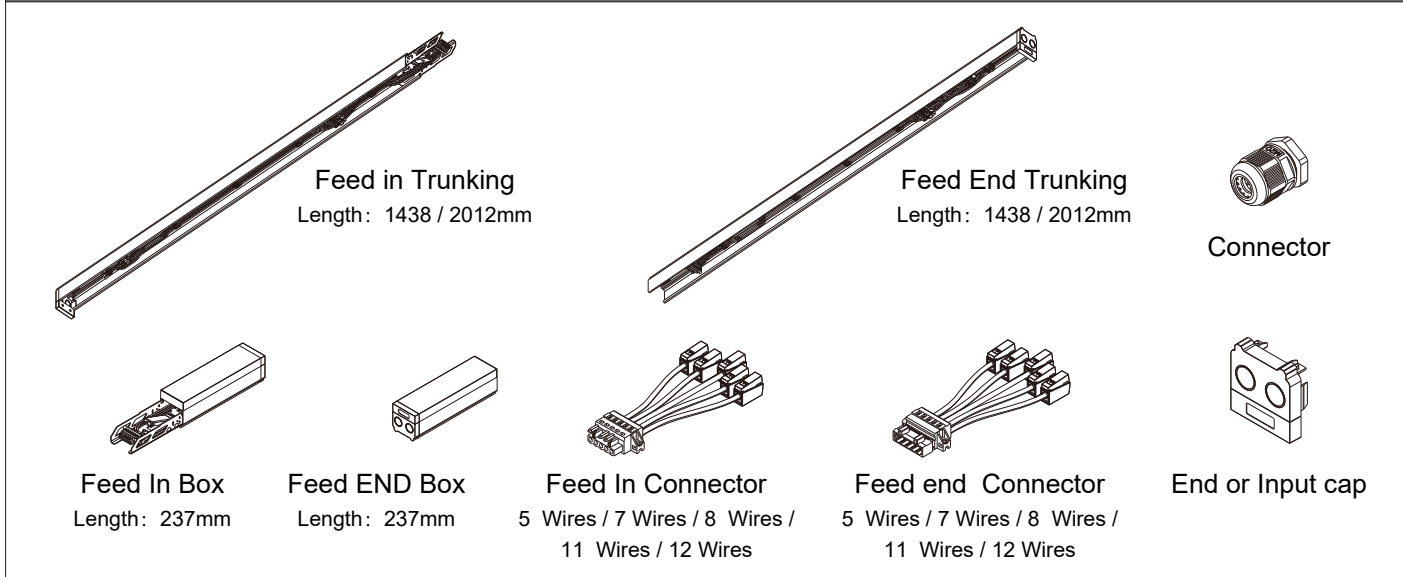


Installation Manual

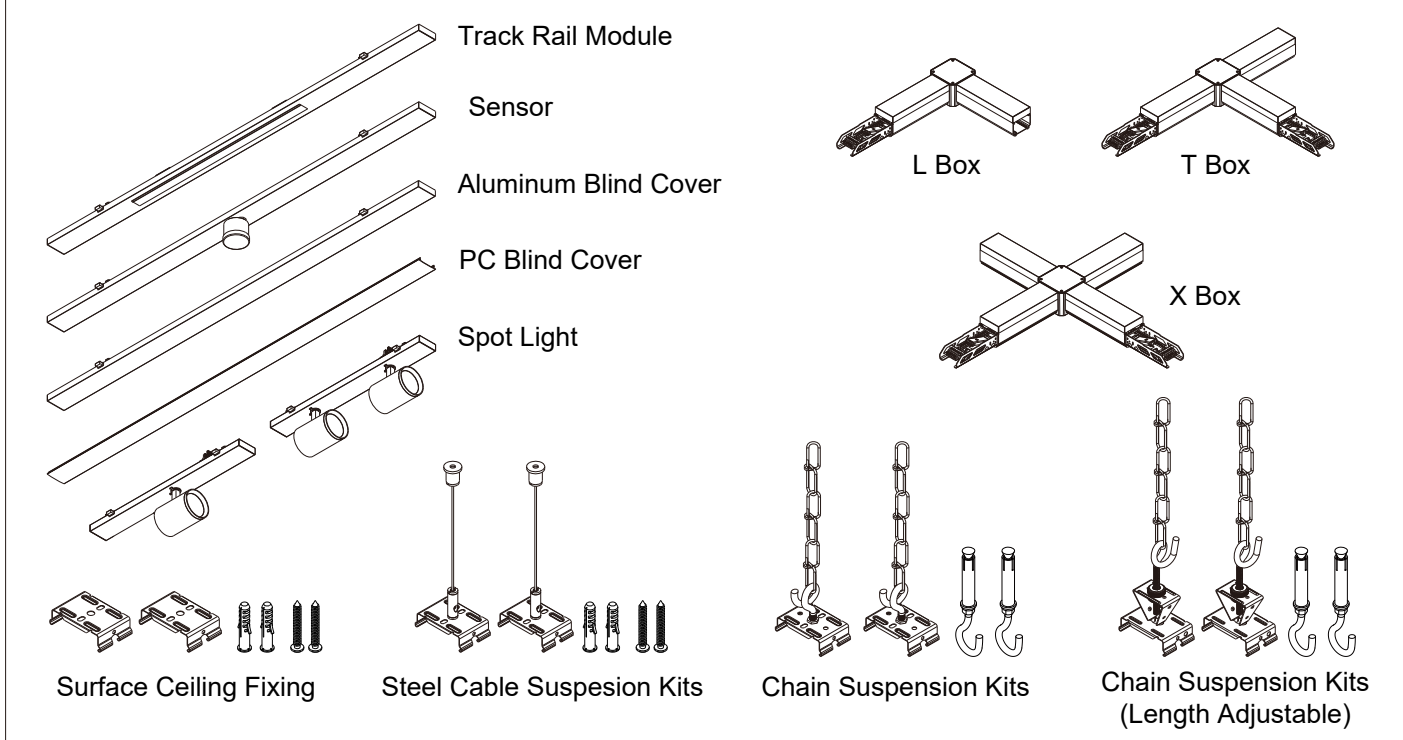




Accessories For AC Input And Out Put

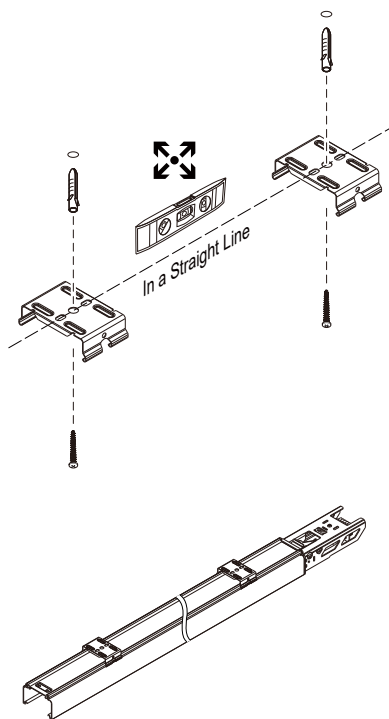


Accessories



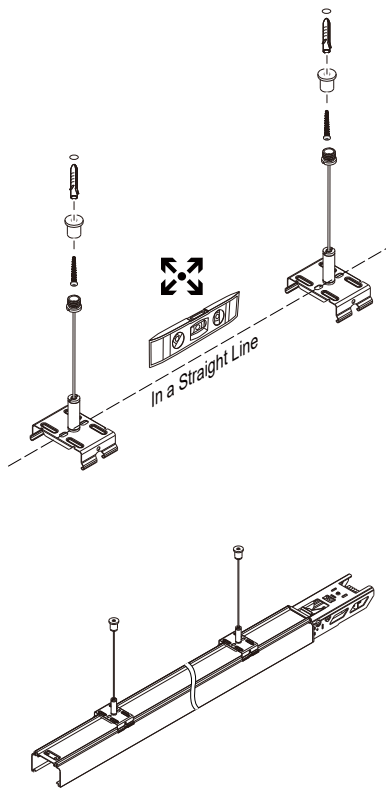
1-a

Surface Ceiling Fixing



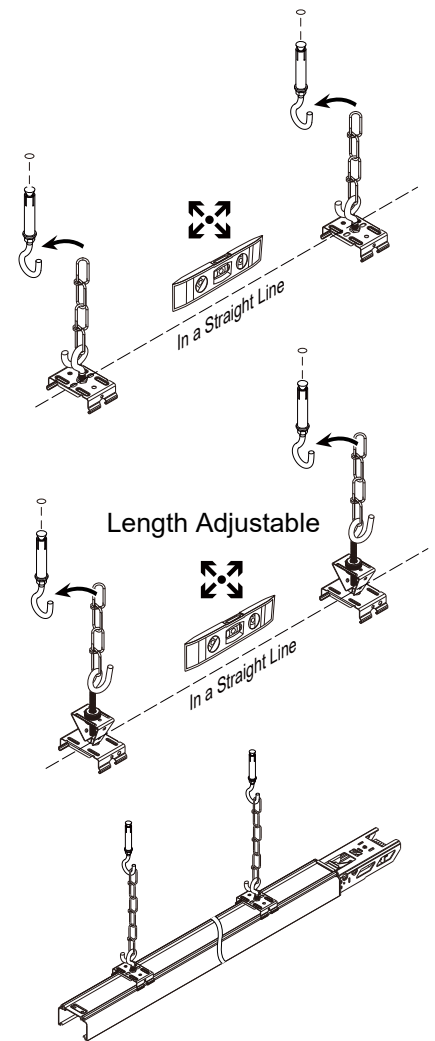
1-b

Steel Cable Suspension Kits

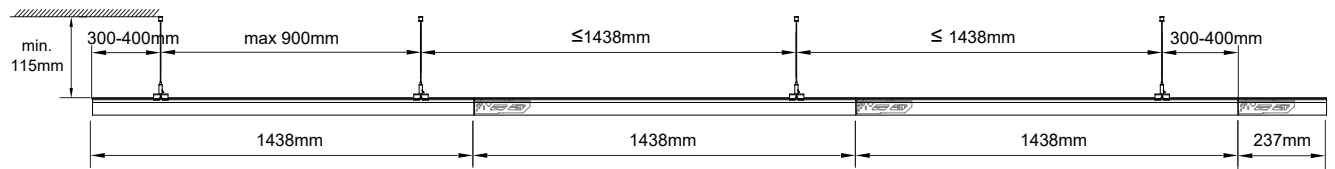


1-c

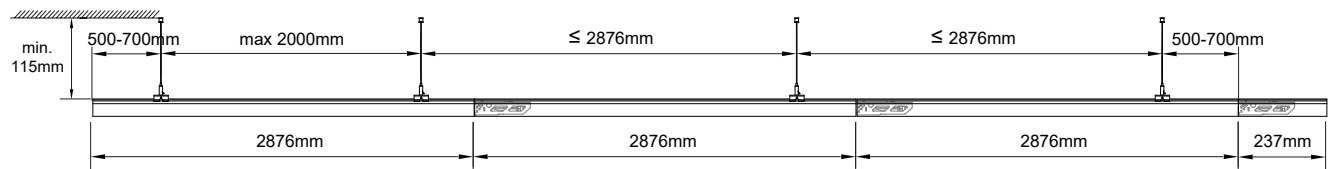
Chain Suspension Kits



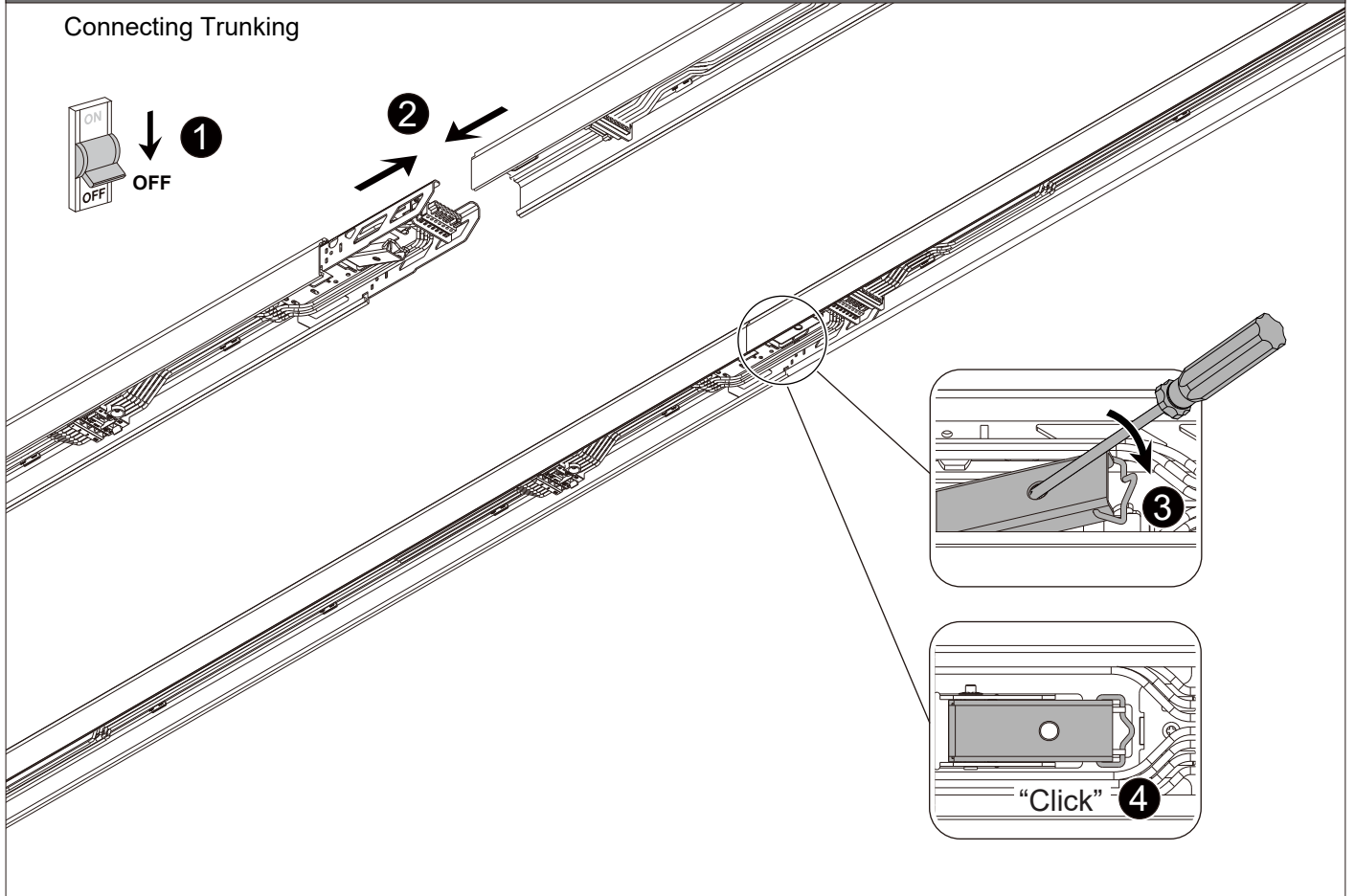
1438mm Installation



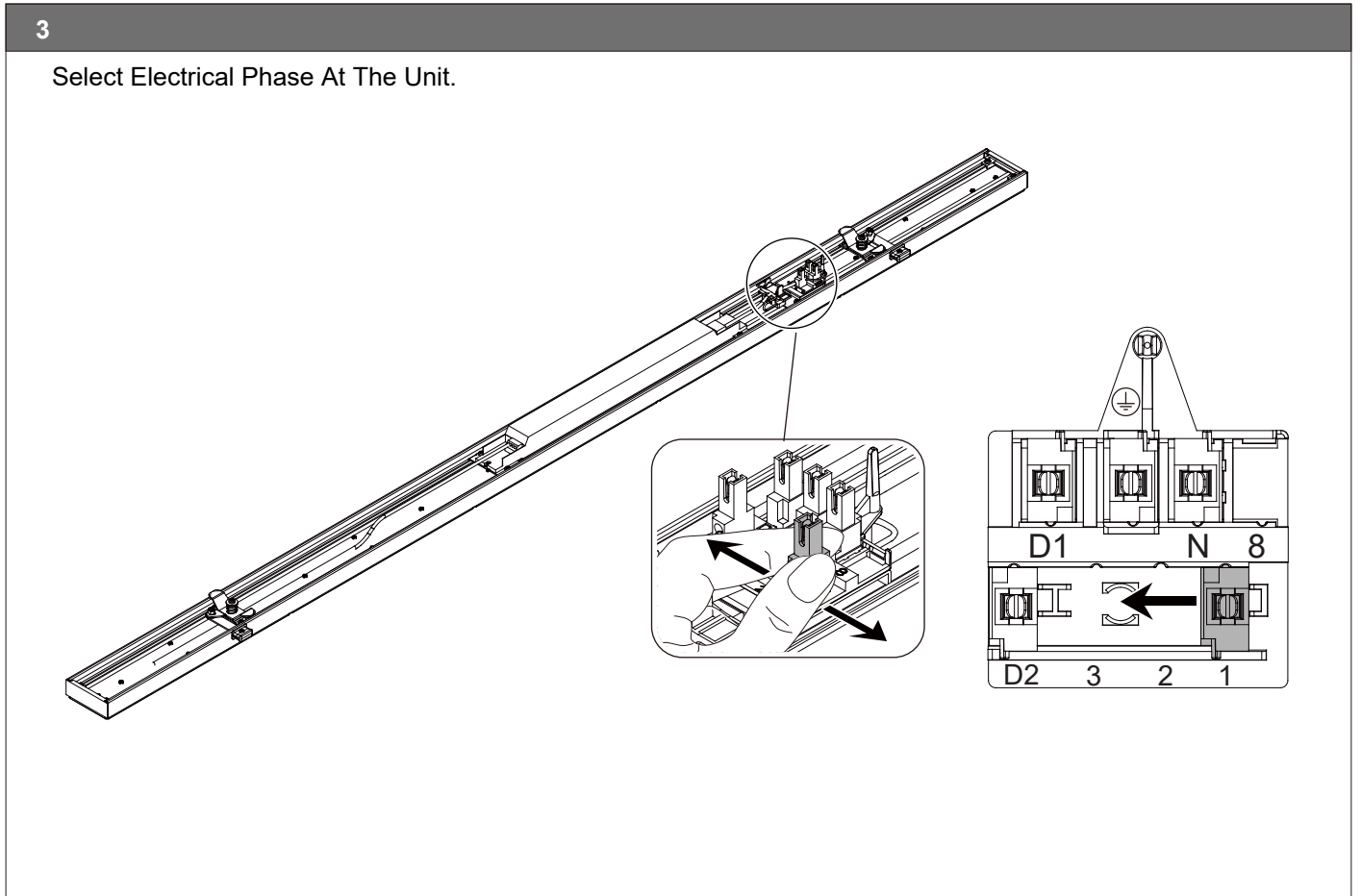
2876mm Installation



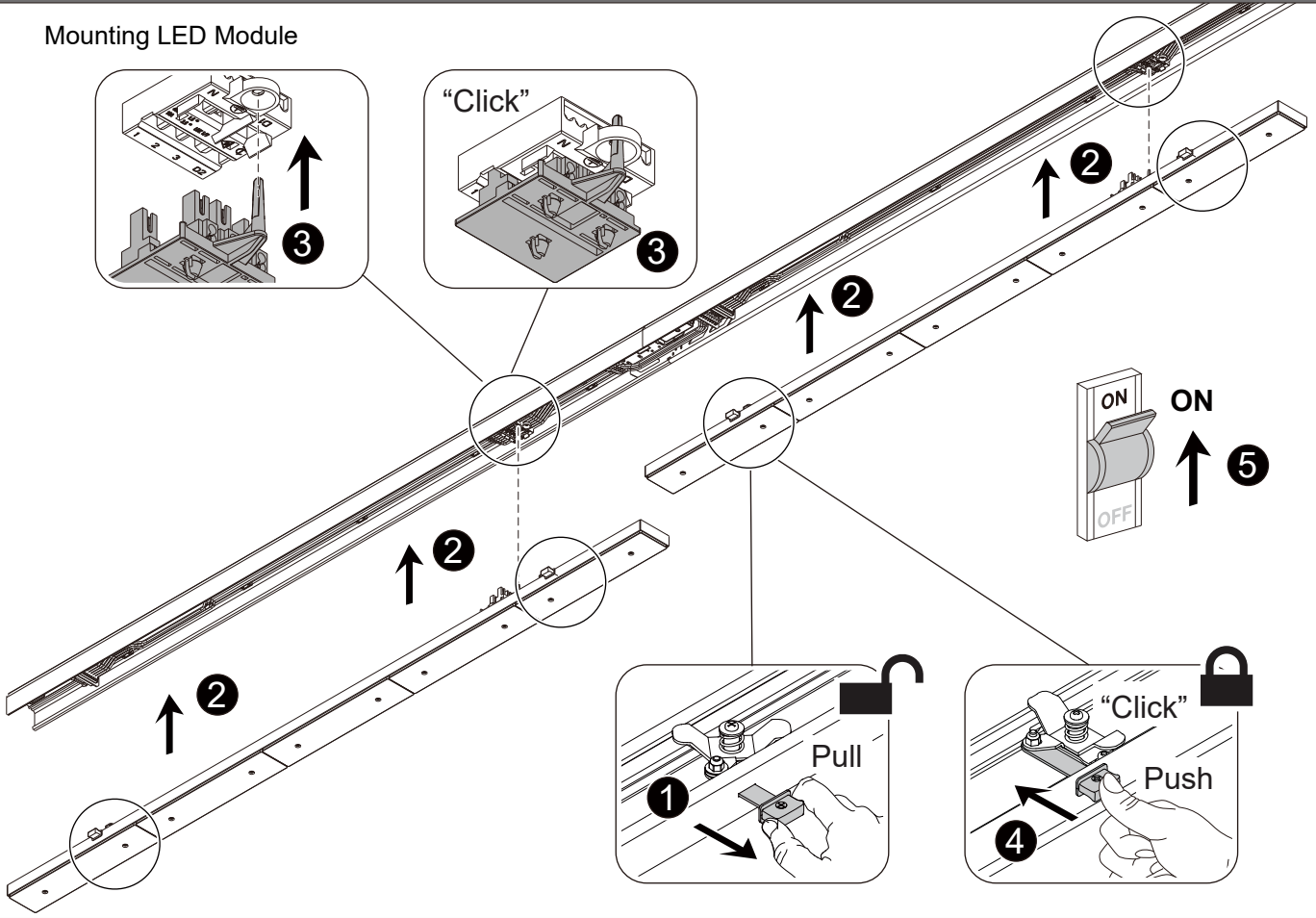
Connecting Trunking



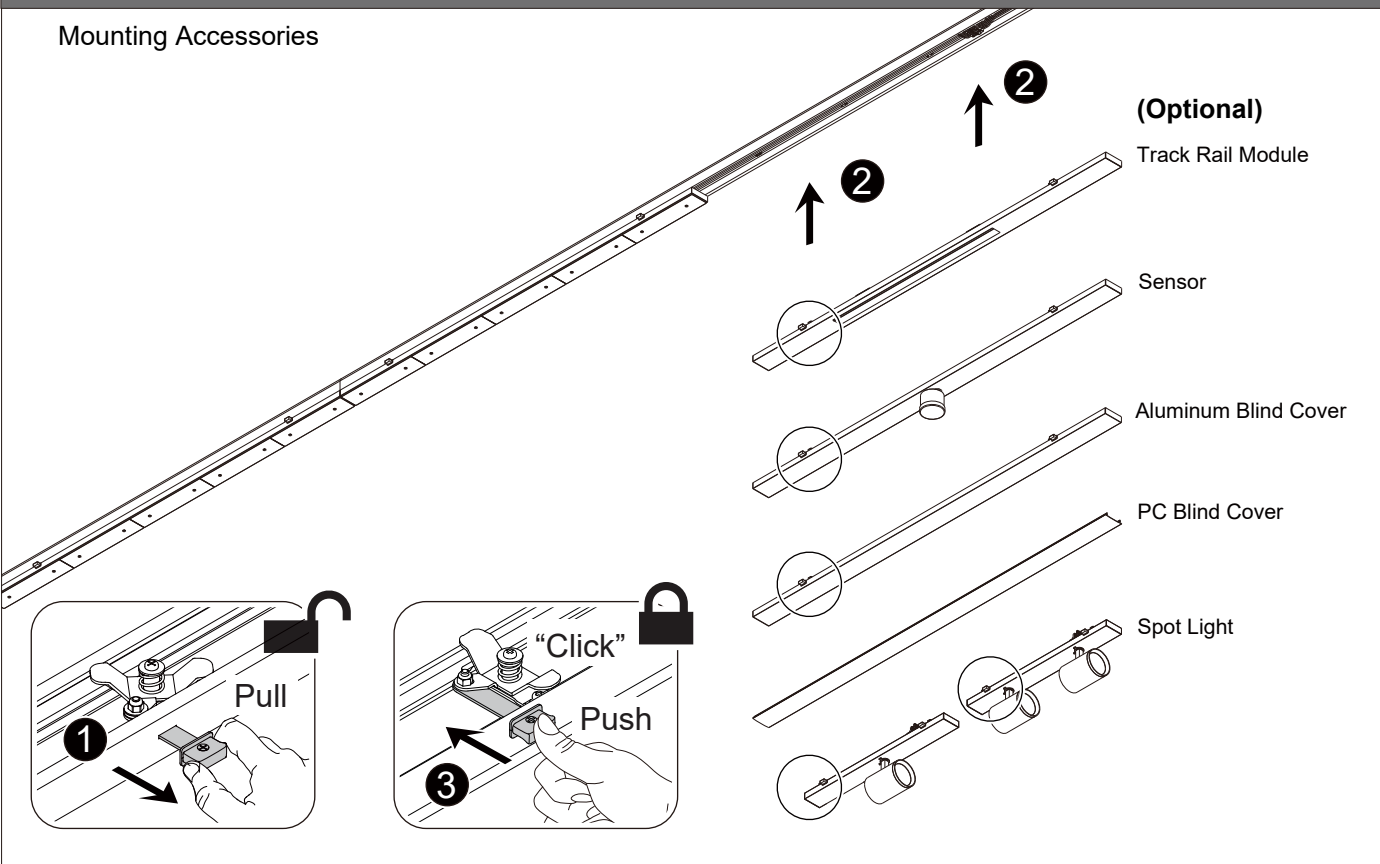
Select Electrical Phase At The Unit.

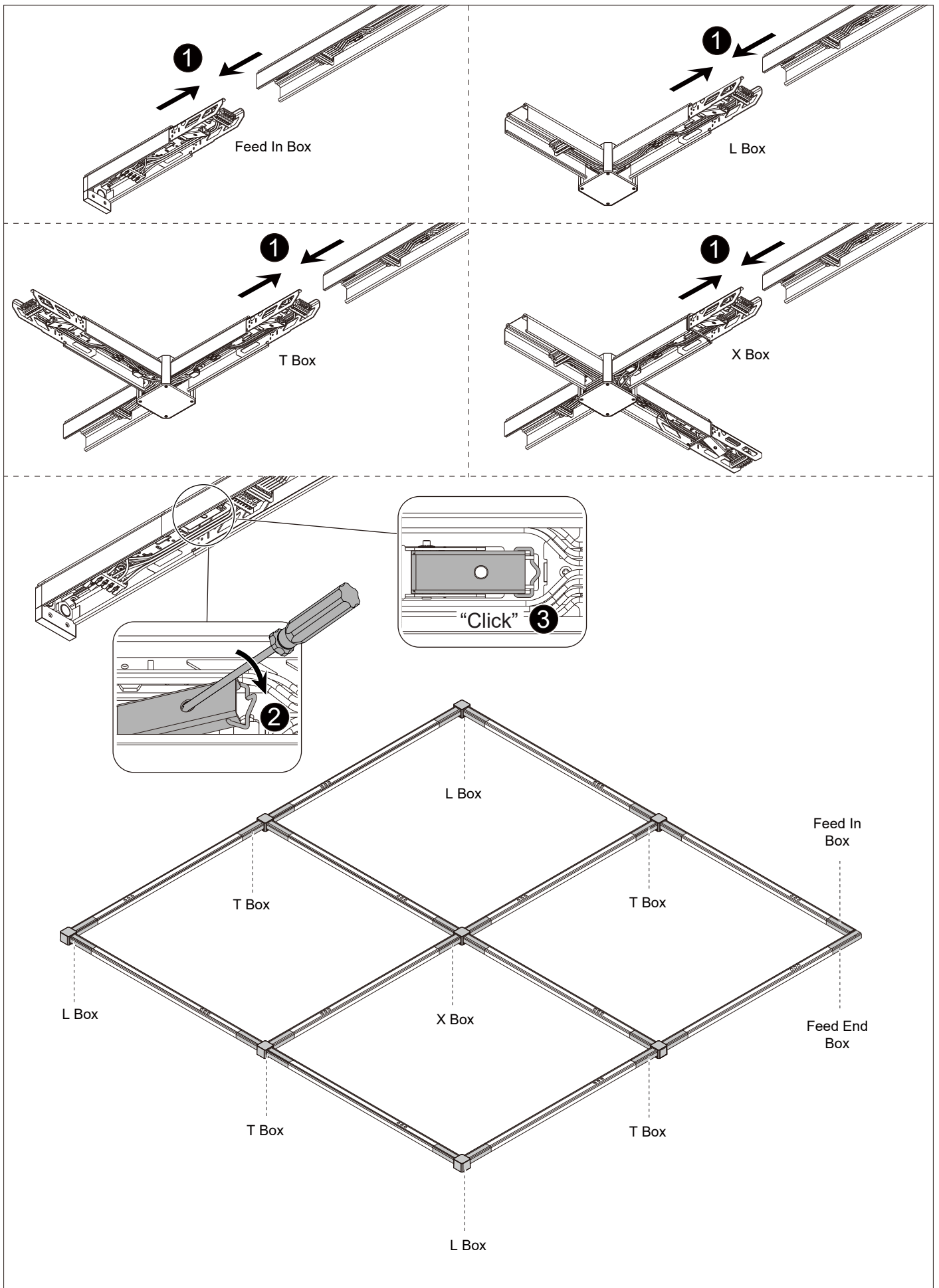


Mounting LED Module



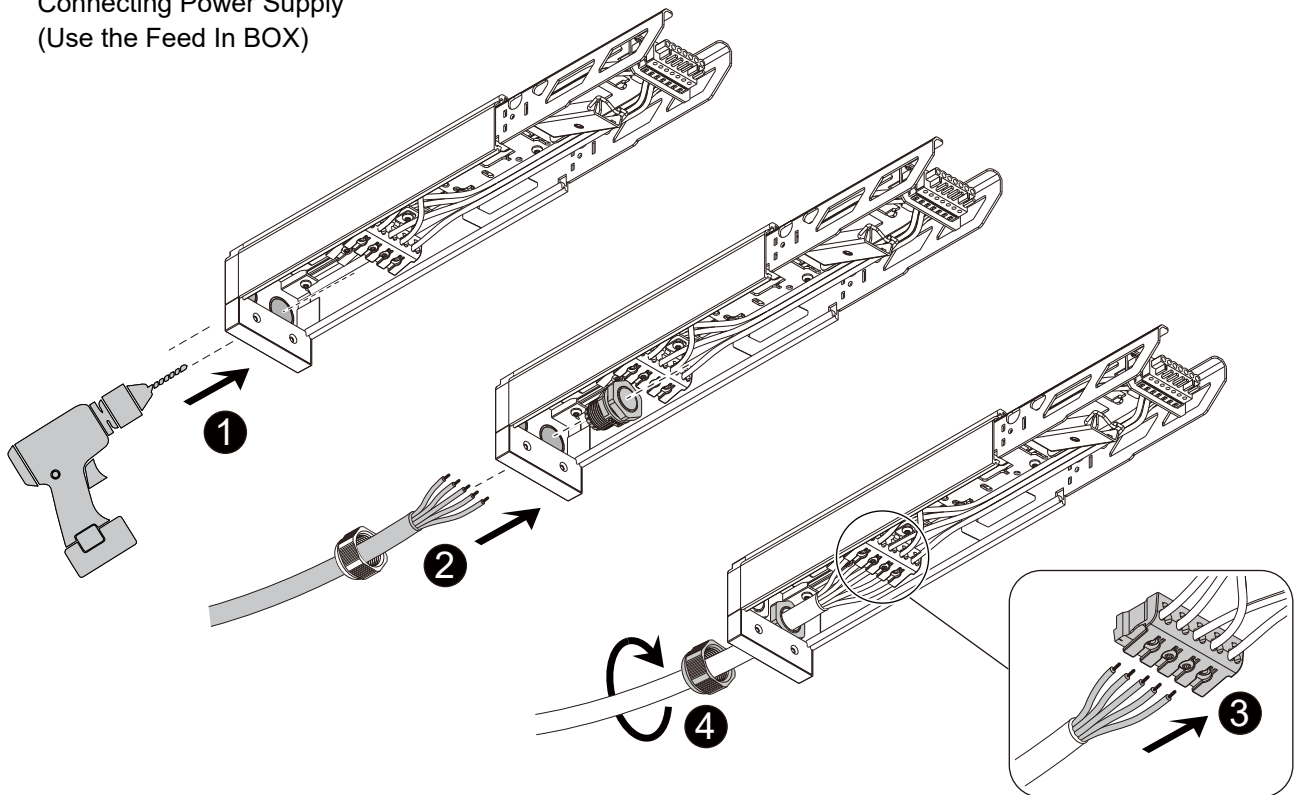
Mounting Accessories





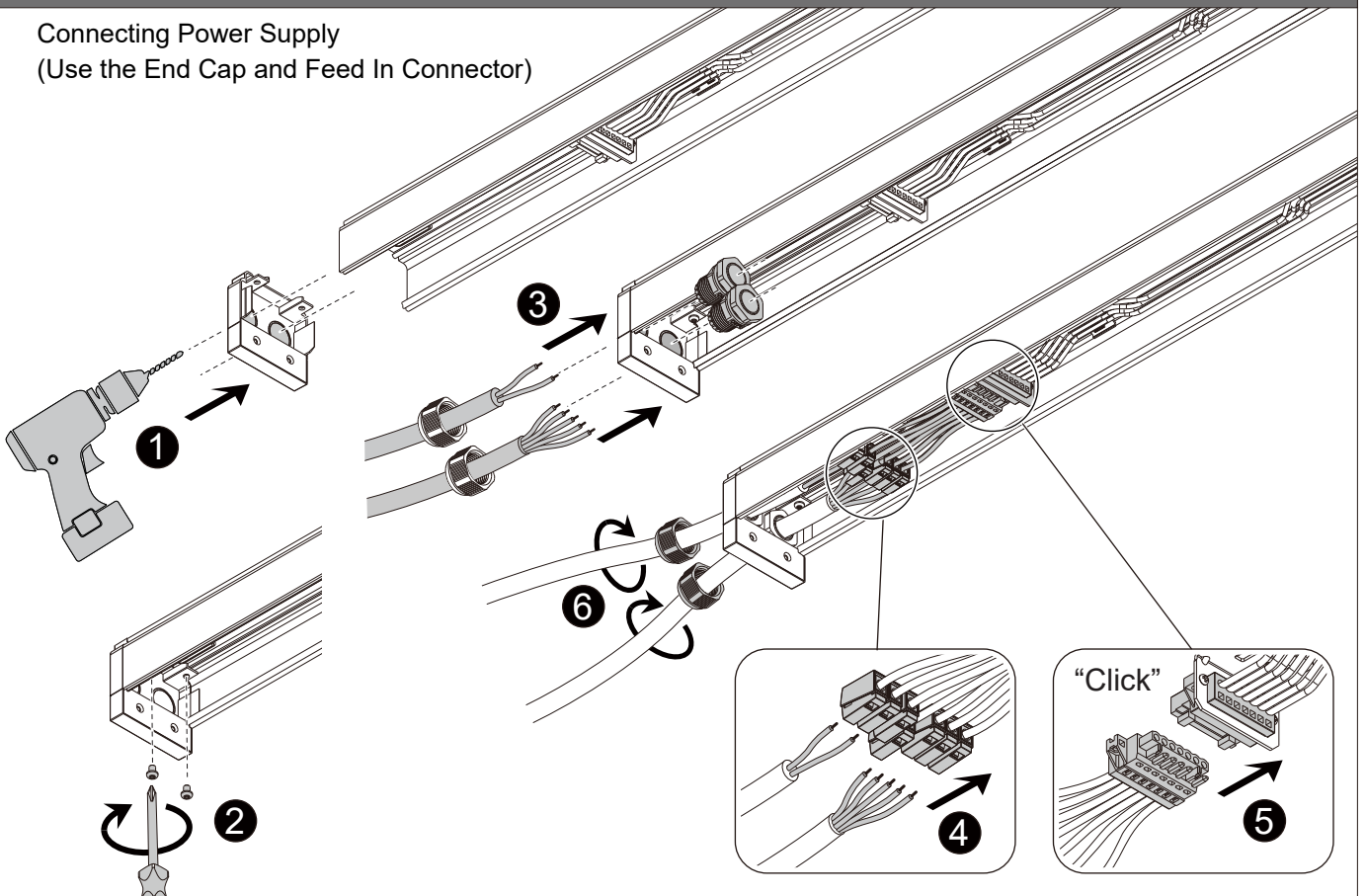
6-a

Connecting Power Supply
(Use the Feed In BOX)

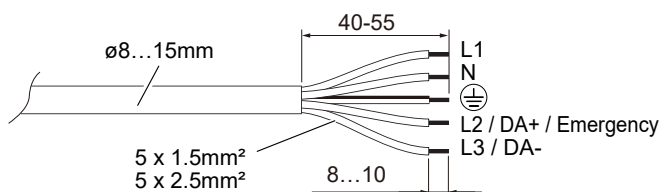


6-b

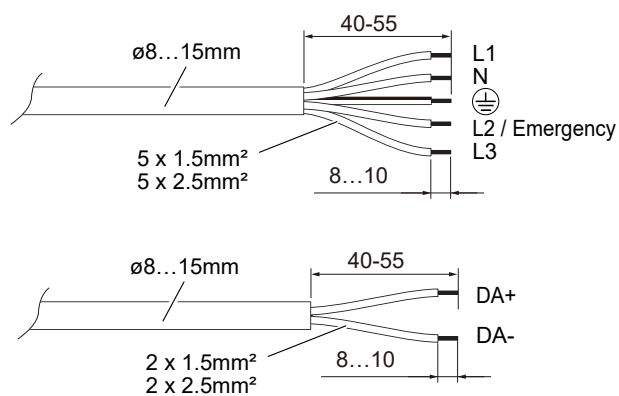
Connecting Power Supply
(Use the End Cap and Feed In Connector)



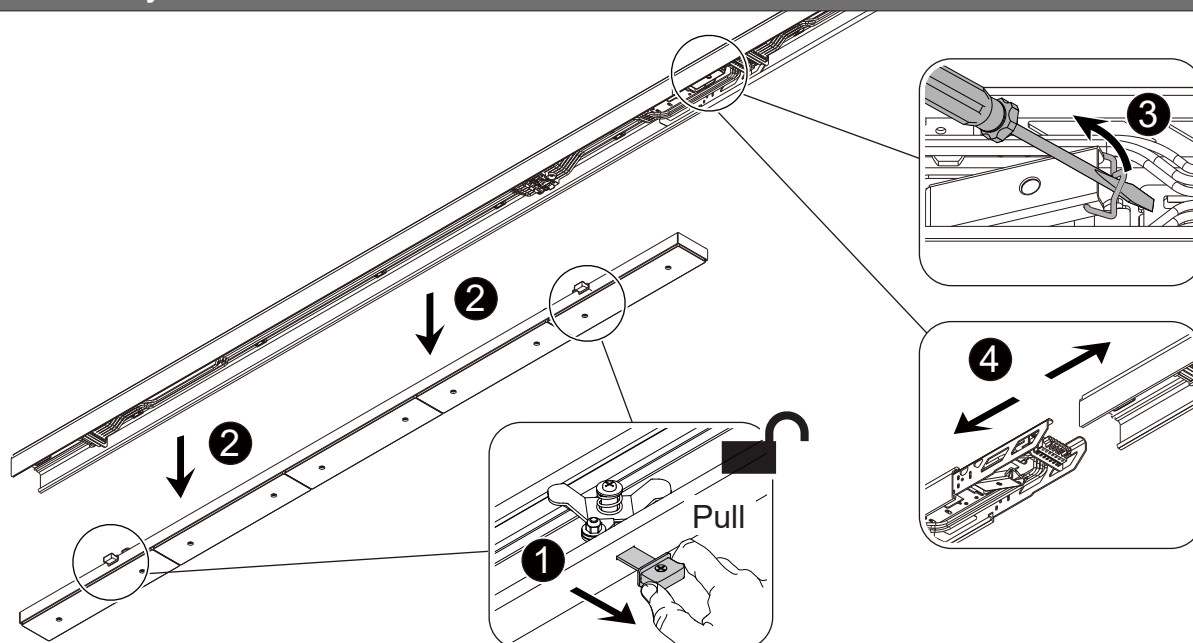
5 Wires



7 Wires



Disassembly



Safety notes:

The installation and connection of the luminaire must be done when switched off and by qualified people. Make sure no voltage while installation.

Maintenance

- To avoid injuries, disconnect power to the light and allow the unit to cool down before performing maintenance.
- Perform visual, mechanical and electrical inspections on a regular basis. We recommend routine checks to be made on an annual basis. Frequency of use and environment should determine this
- The Covers should be cleaned periodically as needed to ensure continued photometric performance. Clean the Cover with a damp, non-abrasive, lintfree cloth. If not sufficient, use mild soap or a liquid cleaner. Do not use an abrasive, strong alkaline or acid cleaner as damage may occur.
- Inspect the topside on the luminaire to ensure that it is free of any obstructions or contamination (i.e. excessive dust build-up). Clean with a non-abrasive cloth if needed.



This product contains a light source of energy efficiency class D.